



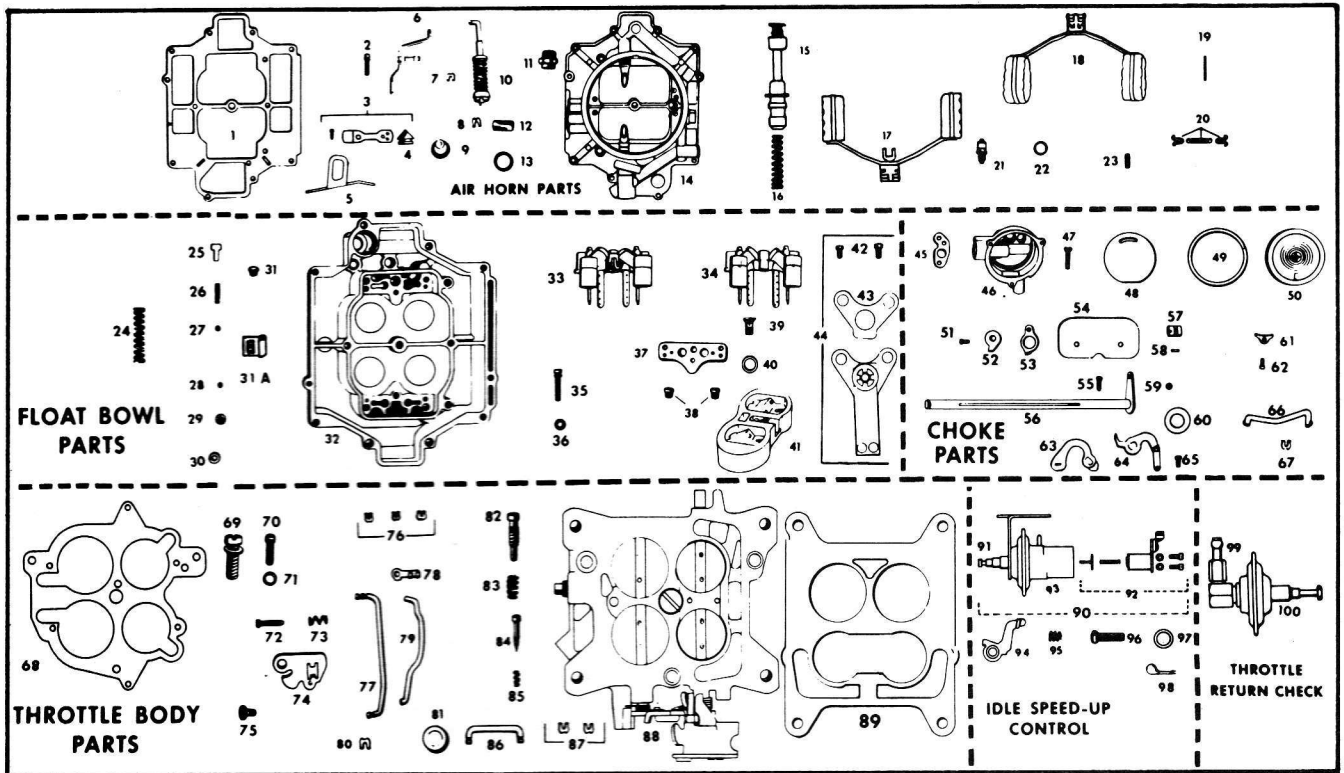
# Delco Carburetor

## MODEL 4GC CARBURETORS

### 1963-1966 CADILLAC

BULLETIN 9C-2001  
 DATE: NOVEMBER, 1971  
 PAGE 1

PARTS SHOWN ARE FOR IDENTIFICATION ONLY. CONSULT PARTS LIST FOR CORRECT PART NAME AND NUMBER



**PARTS IN ALL COLUMNS SAME – EXCEPT WHERE INDICATED**

	1963	1964	1965	1966	YEAR
	7023030	7024030	7025030	7026030	STANDARD CARB. No.
	7023031	7024031	7025031	7026031	AIR COND. CARB. No.
	24-228				REPLACEMENT PKG. No.
	7016438				OVERHAUL KIT
	9099				POWER CARBURETOR KIT
	40-332				GASKET KIT
Illus. No.					AIR HORN PARTS
1	7025649				Gasket – Air Horn
2	7000249				Screw – Air Horn
3	–				Idle Vent Valve Kit
4	–				Valve – Idle Vent
5	–				Shield – Idle Vent Valve
6	NLA				Pump Shaft and Lever Assembly
7	7007616				Clip – Pump Shaft
8	7005032				Clip – Pump Plunger
9	7006372				Boot – Pump Plunger
10	7022992				Pump Assembly
11	7000262				Strainer Nut
12	7003083				Strainer – Fuel Inlet
13	7001597				Gasket – Strainer Nut
14	NLA				Air Horn Assembly
15	7011947				Power Piston Assembly
16	7015181	7015181	7015181	7032636	Spring Power Piston
17	7012797				Primary – Float Assembly
18	7012148				Secondary – Float Assembly
19	7001595				Pin – Float Hinge
20	7001850				Float Bal. Spring & Clips Assem. (Sec. side only)
21	30-7				Needle and Seat Assembly
22	KIT ONLY				Gasket – Needle Seat
23	7006079				Strainer – Needle Seat
–	7006474				Pull Clip – Float Needle
					FLOAT BOWL PARTS
24	7002101				Spring – Pump Return
25	7003838				Guide – Pump Discharge
26	7002118				Spring – Pump Discharge
27	7002117				Ball – Pump Discharge
28	7002120				Ball – Pump Inlet Check
29	7001604				Strainer – Pump Inlet

CO, WD, 131, 132:16, 9X, 9FR, 9FD

NLA – No Longer Available

PRINTED IN U.S.A.  
 © 1971, GENERAL MOTORS CORP.

	7023030	7024030	7025030	7026030	STANDARD CARB. No.
	7023031	7024031	7025031	7026031	AIR COND. CARB. No.
FLOAT BOWL PARTS (Continued)					
Illus. No.					
30	7001605				Retainer – Pump Strainer
31	–	–	–	–	Sight Plug
31A	NLA				Baffle – Main Metering – Primary Side
32	NLA				Float Bowl Assembly
33	NLA				Venturi Cluster – Primary
34	NLA				Venturi Cluster – Secondary
35	NLA				Screw – Venturi Cluster
36	121841				Lockwasher – Cluster Screw
37	KIT ONLY				Gasket – Venturi Cluster
38	7002656	7002655	7002654	7002656	Jet – Primary – Standard
38	7008675	7008685	7008683	7008685	Jet – Secondary – Standard
39	7010918				Power Valve Assembly
40	KIT ONLY				Gasket – Power Valve
41	NLA				Auxiliary Throttle Valve Assembly
42	7015127				Screw – Idle Compensator
43	7013341				Gasket – Idle Compensator
44	NLA	7028920	7028920	NLA	Idle Compensator Kit
CHOKE PARTS					
45	7007502				Gasket – Choke Housing
46	7036718				Choke Housing Assembly
47	7019516				Screw – Choke Housing
48	7010598				Baffle Plate
49	7002760				Gasket – Stat Cover
50	7013714	7027720	7027720	7027720	Stat Cover, Coil and Gasket Assembly
51	7019709				Screw – Trip Lever
52	7000196				Trip Lever
53	7009626				Choke Lever and Collar Assembly
54	7000191				Choke Valve
55	7007627				Screw – Choke Valve
56	7007143				Choke Shaft and Lever Assembly
57	7012294				Choke Piston
58	7010746				Pin – Choke Piston
59	7002814				Plug – Lead Ball
60	7003135				Plug – Expansion
61	7000614				Retainer – Stat Cover
62	7011270				Screw – Stat Cover
63	7025572				Intermediate Choke Shaft
64	7012748				Choke Lever and Link Assembly
65	7019709				Screw – Choke Piston Lever
66	7010357				Rod – Intermediate Choke
67	7005109				Clip – Intermediate Choke Rod
THROTTLE BODY PARTS					
68	KIT ONLY				Gasket – Throttle Body
69	7004324				Screw – Throttle Body – Large
70	7015105				Screw – Throttle Body – Small
71	121744				Lockwasher – Small Screws
72	7011546				Fast Idle Screw
73	7001690				Spring – Fast Idle Screw
74	NLA				Cam – Fast Idle
75	7003561				Screw – Cam Attaching
76	7005109				Clip – Choke Rod
77	7010359				Choke Rod
78	7003137	–	–	–	Clip – Pump Rod
79	NLA				Pump Rod
80	7005032				Clip – Pump Rod
81	7006475				Expansion Plug
82	NLA				Idle Air Adjusting Screw
83	7012557				Spring – Idle Air Screw
84	7013116				Idle Needle
85	7011479				Spring – Idle Needle
86	7010352				Link – Secondary Lever
87	7005032				Clip – Secondary Link
88	NLA				Throttle Body Assembly
89	1477371	1477371	1477371	1477371	Gasket – Flange
IDLE SPEED UP CONTROL PARTS (AIR CONDITIONED ONLY)					
90	7023091				Idle Speed Up Control Assembly
91	NLA				Contract Screw
92	–				Solenoid Kit
93	–				Diaphragm and Bracket Assembly
94	NLA				Idle Speed Up Lever and Collar Assembly
95	NLA				Spring – Idle Speed Up Lever Return
96	7006119				Screw – Control Attaching
97	120217				Lockwasher – Control Screw
98	–				Nylon Clip – Lead Wires
–	7025771				Air Conditioning Adaptor Kit
–	NLA				Lever – Speed Up Contact
–	NLA				Washer – Control Lever
–	7010435				Screw – Control Lever
THROTTLE RETURN CHECK PARTS					
99	NLA				Check Valve
100	NLA				Throttle Return Check Assembly



# Delco Carburetor

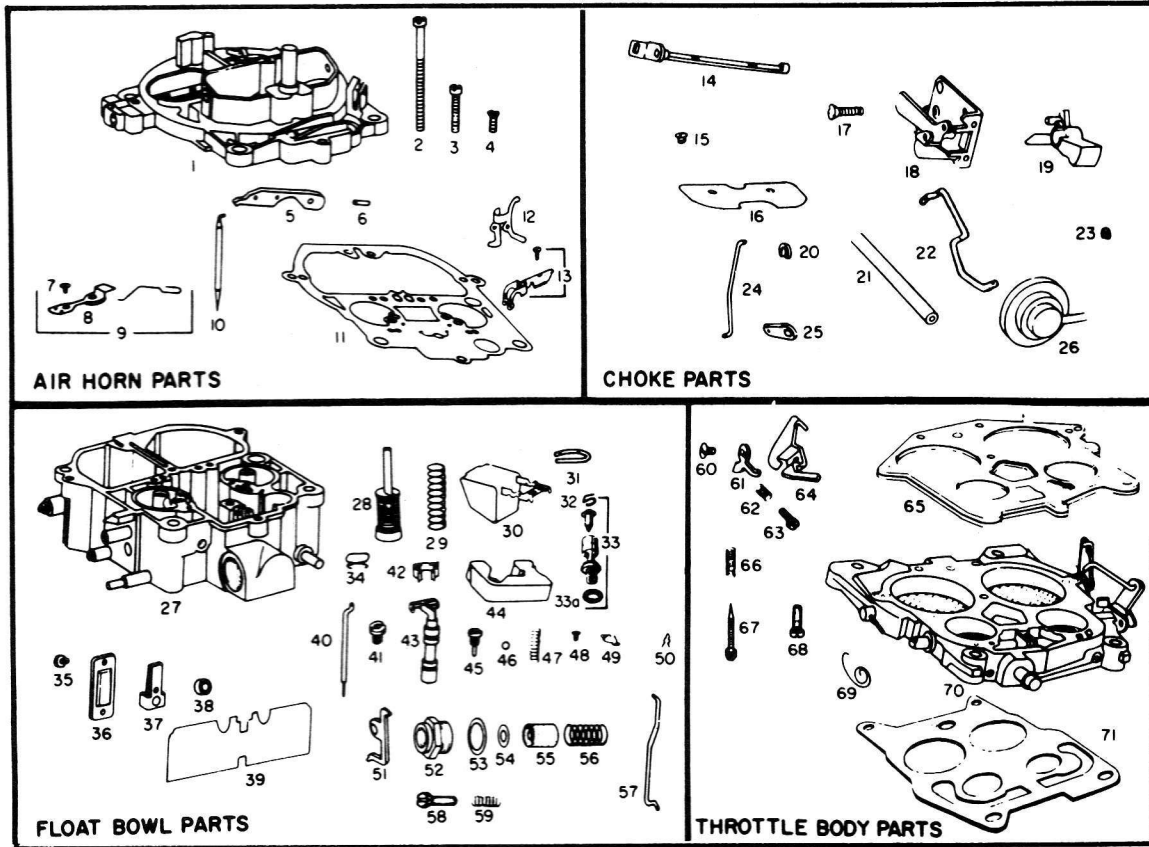
MODEL 4MV QUADRAJET

1967 CADILLAC

400 AND 430 CU. IN. ENGINES

BULLETIN 9C-2002  
DATE: NOVEMBER, 1971  
PAGE 1

PARTS SHOWN ARE FOR IDENTIFICATION ONLY. CONSULT PARTS LIST FOR CORRECT PART NAME AND NUMBER



**PARTS IN ALL COLUMNS SAME EXCEPT WHERE INDICATED**

STANDARD W/O AIR COND.	STANDARD AIR CONDITION	LIMOUSINE AIR CONDITION	EL DORADO W/O AIR COND.	EL DORADO AIR CONDITION	APPLICATION
7027230	7027231	7027233	7027234	7027235	CARBURETOR No. (W/O A.I.R.)
7037230	7037231	7037231	7037234	7037235	CARBURETOR No. (A.I.R.)
24-224	24-224	24-224	24-225	24-225	REPLACEMENT PKG. No.
7016736	7016736	7016736	7034554	7034554	OVERHAUL KIT (W/O A.I.R.)
7034550	7034550	7034550	7034555	7034555	OVERHAUL KIT (A.I.R.)
9144					POWER CARBURETOR KIT
40-339					GASKET SET
7035347	7035347	7035347	7036483	7036483	ALTITUDE KIT (W/O A.I.R.)

Illus No.	AIR HORN PARTS					
1	7032740	7032740	7032740	7034326	7034326	Air Horn Assembly (W/O A.I.R.)
1	7035301	7035301	7035301	7035302	7035302	Air Horn Assembly (A.I.R.)
2	7029912					Screw - Air Horn
3	7014699					Screw - Air Horn
4	7031105					Screw - Air Horn
5	7026139					Lever - Pump Actuating
6	9428787					Roll Pin - Pump and Lockout Levers
7	7012548					Screw - Idle Vent Valve
8	7029993					Valve - Idle Vent
9	7031423					Idle Vent Valve Kit
10	7033104	7033104	7034300	7034365	7034365	Metering Rod - Secondary (W/O A.I.R.)
10	7034300	7034300	7034300	7034365	7034365	Metering Rod - Secondary (A.I.R.)
11	7029087					Gasket - Air Horn
12	7037361					Lockout Lever - Air Valve
13	7034522					Secondary Metering Rod Holder Kit
13	7035344					Air Valve Spring and Cam Kit

	7027230	7027231	7027233	7027234	7027235	CARBURETOR No. (W/O A.I.R.)
	7037230	7037231	7037231	7037234	7037235	CARBURETOR No. (A.I.R.)
Illus. No.	CHOKE PARTS					
14	7036433					Choke Shaft and Valve Kit
15	7029866					Screw – Choke Valve
16	–					Choke Valve (Not Available Separately)
17	7031925					Screw – Vacuum Break Control
18	7033073					Vacuum Break Control Bracket Assembly
19	7032757					Cam – Fast Idle
20	7005109					Clip – Choke Rod
21	7026339					Hose – Vacuum
22	7038167					Rod – Vacuum Break
23	7005109					Clip – Vacuum Break Rod
24	7035675					Rod – Choke
25	7031231					Lever – Intermediate Choke
26	7038237					Vacuum Break Control Assembly
	FLOAT BOWL PARTS					
27	7033072					Float Bowl Assembly (W/O A.I.R.)
27	7035303					Float Bowl Assembly (A.I.R.)
28	7029989					Pump Assembly
29	7004597					Spring – Pump Return
30	7033752					Float Assembly
31	7029856					Hinge Pin – Float
32	7033751					Pull Clip – Float Needle
33	30-142					Needle and Seat Assembly
33A	KIT ONLY					Gasket – Needle Seat
34	7029862					Spring – Metering Rod – Primary
35	7020926					Screw – Cover Attaching
36	7029865					Cover – Idle Compensator
37	7034380					Idle Compensator Assembly
38	7027970					Gasket – Idle Compensator
39	7031365					Baffle Plate – Float Bowl
40	7031840	7031840	7031840	7031835	7031835	Metering Rod – Primary (W/O A.I.R.)
40	7031843	7031843	7031843	7031840	7031840	Metering Rod – Primary (A.I.R.)
41	7031970	7031970	7031970	7031969	7031969	Metering Jet – Primary (A.I.R.)
41	7031970	7031970	7031970	7031968	7031968	Metering Jet – Primary (W/O A.I.R.)
42	7034339					Retainer – Power Piston
43	7032979					Power Piston Assembly
44	7034361					Insert – Float Bowl
45	7029849					Retainer – Pump Discharge Ball
46	7002117					Ball – Pump Discharge
47	7032758					Spring – Power Piston
48	–	–	–	–	–	Screw – Diaphragm Retainer
49	–	–	–	–	–	Retainer – Float Needle Diaphragm
50	836159	836159	836159	836159	836159	Clip – Pump Rod
51	–	–	–	–	–	Lockout Lever – Secondary
52	7040952					Filter Nut – Fuel Inlet (See Note)
53	7032508					Gasket – Inlet Nut
54	–					Gasket – Filter
55	7033706					Filter – Fuel Inlet
56	7029920					Spring – Inlet Filter
57	7033113					Rod – Pump
58	7002121					Screw – Idle Stop
59	7003176					Spring – Idle Stop Screw
	THROTTLE BODY PARTS					
60	7010435					Screw – Cam and Fast Idle Levers
61	7033707					Lever – Fast Idle
62	7029900					Spring – Fast Idle Screw
63	7029899					Screw – Fast Idle
64	7033880					Lever – Cam Follower
65	KIT ONLY					Gasket – Throttle Body
66	7011479					Spring – Idle Needle
67	7013116					Needle – Idle Adjusting
68	7029891					Screw – Throttle Body
69	–					Spring – Cam Follower Lever
70	7033708					Throttle Body Assembly (W/O A.I.R.)
70	7033709					Throttle Body Assembly (A.I.R.)
71	1486564					Gasket – Flange
	7027293	Intake Air Bleed Valve Assembly (A.I.R.)				
	7027092	Manifold Stat Coil Assembly				
	7027298	Idle Speed Up Control Assembly				
	7033881	Lever – Speed Up Contact				
	7035373	Air Cond. Adaptor Kit				

NOTE: For Stripped Threads, Replace with 7041635 Kit.





# Delco Carburetor

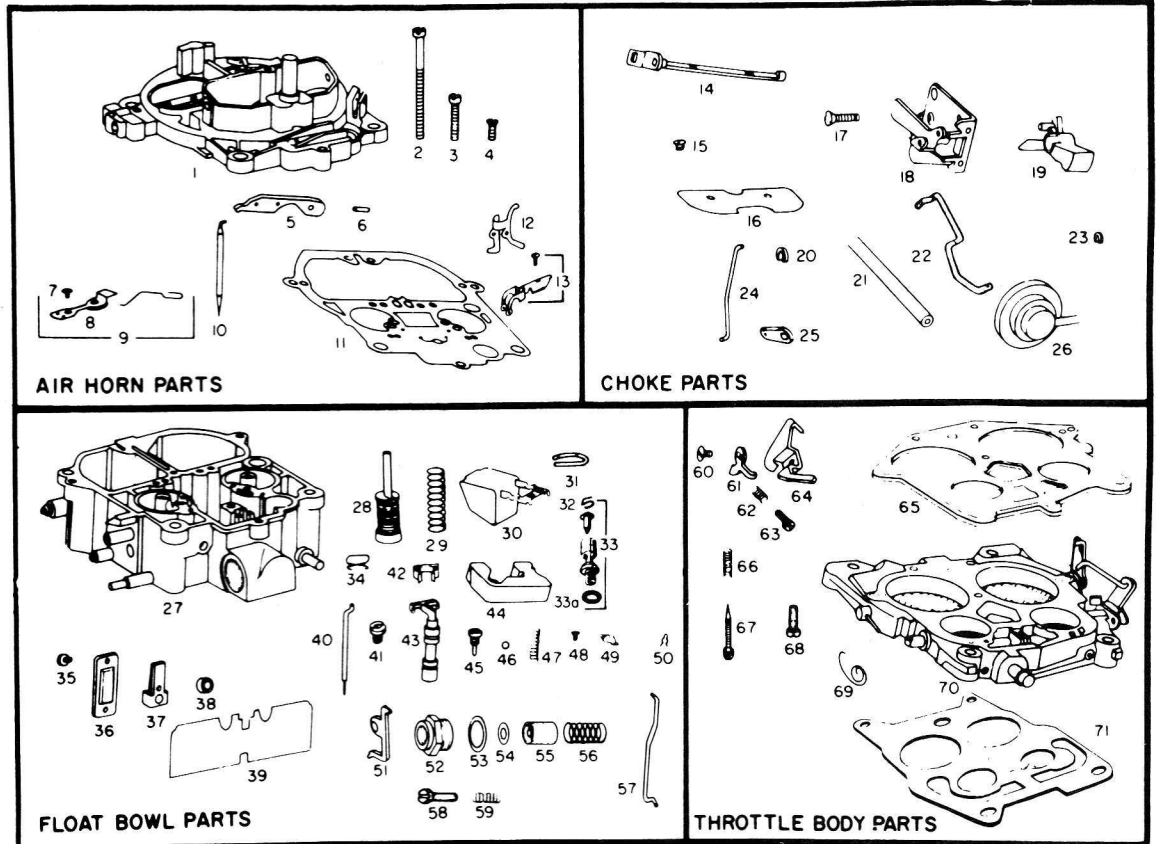
## MODEL 4MV QUADRAJET

### 1968 CADILLAC

### 472 CUBIC INCH ENGINE

BULLETIN 9C-2003  
DATE: NOVEMBER, 1971  
PAGE 1

PARTS SHOWN ARE FOR IDENTIFICATION ONLY. CONSULT PARTS LIST FOR CORRECT PART NAME AND NUMBER



**AIR HORN PARTS**

**CHOKE PARTS**

**FLOAT BOWL PARTS**

**THROTTLE BODY PARTS**

**PARTS IN ALL COLUMNS SAME – EXCEPT WHERE INDICATED**

	STANDARD W/O AIR COND.	STANDARD AIR CONDITION	ELDORADO W/O AIR COND.	EL DORADO AIR CONDITION	APPLICATION
	7028230	7028231	7028234	7028235	CARBURETOR No. – EARLY
	7028236	7028237	7028238	7028239	CARBURETOR No. – LATE
	24-222	24-222	24-223	24-223	REPLACEMENT PKG. No.
	7036338	7036338	7036339	7036339	OVERHAUL KIT
	9144				POWER CARBURETOR KIT
	40-339				GASKET SET
	7036510	7036510	7036511	7036511	ALTITUDE KIT
	<b>CHOKE PARTS</b>				
Illus. No.	7034724	7034724	7034749	7034749	Air Horn Assembly – Early
1	7037368	7037368	7037369	7037369	Air Horn Assembly – Late
2	7029912				Screw – Air Horn
3	7014699				Screw – Air Horn
4	7031105				Screw – Air Horn
5	7026139				Lever – Pump Actuating
6	9428787				Roll Pin – Pump and Lockout Levers
7	7012548				Screw – Idle Vent Valve
8	7029993				Valve – Idle Vent
9	7031423				Idle Vent Valve Kit
10	7035916				Metering Rod – Secondary
11	7029087				Gasket – Air Horn
12	7037361				Lockout Lever – Air Valve
13	7034522				Secondary Metering Rod Holder Kit
–	7035344				Air Valve Spring & Cam Kit
–	7035918				Shield – Lockout Lever
–	7015127				Screw – Shield Attaching

	7028230	7028231	7028234	7028235	CARBURETOR No. – EARLY
	7028236	7028237	7028238	7028239	CARBURETOR No. – LATE
Illus. No.					
14	7036433				Choke Shaft and Valve Kit
15	7029866				Screw – Choke Valve
16	–				Choke Valve (Not Available Separately)
17	7031925				Screw – Vacuum Break Control
18	7035370				Vacuum Break Control Bracket Assembly
19	7040818				Cam – Fast Idle
20	7005109				Clip – Choke Rod
21	574372				Tee – Vacuum
22	7038167				Rod – Vacuum Break
23	7005109				Clip – Vacuum Break Rod
24	7035675				Rod – Choke
25	7031231				Lever – Intermediate Choke
26	7038237				Vacuum Break Control Assembly

FLOAT BOWL PARTS

27	7035368	7035368	7035369	7035369	Float Bowl Assembly
28	7029989				Pump Assembly
29	7004597				Spring – Pump Return
30	7033752				Float Assembly
31	7029856				Hinge Pin – Float
32	7033751				Pull Clip – Float Needle
33	30-142				Needle and Seat Assembly
33A	KIT ONLY				Gasket – Needle Seat
34	7029862				Spring – Metering Rod – Primary
35	–				Screw – Cover Attaching
36	–				Cover – Idle Compensator
37	7035667				Idle Compensator Assembly
38	7027970				Gasket – Idle Compensator
39	7031365				Baffle Plate – Float Bowl
40	7034844	7034844	7034840	7034840	Metering Rod – Primary
41	7031970	7031970	7031968	7031968	Metering Jet – Primary
42	7034339				Retainer – Power Piston
43	7034729				Power Piston Assembly
44	7034361				Insert – Float Bowl
45	7029849				Retainer – Pump Discharge Ball
46	7002117				Ball – Pump Discharge
47	7037298				Spring – Power Piston
48	–				Screw – Diaphragm Retainer
49	–				Retainer – Float Needle Diaphragm
50	836159				Clip – Pump Rod
51	–	–	–	–	Lockout Lever – Secondary
52	7040952				Filter Nut – Fuel Inlet (See Note)
53	7032508				Gasket – Inlet Nut
54	–				Gasket – Filter
55	7033706				Filter – Fuel Inlet
56	7029920				Spring – Inlet Filter
57	7032716				Rod – Pump
58	7002121				Screw – Idle Stop
59	7003176				Spring – Idle Stop Screw

THROTTLE BODY PARTS

60	7035523				Screw – Cam and Fast Idle Levers
61	7035524				Lever – Fast Idle
62	7029900				Spring – Fast Idle Screw
63	7029899				Screw – Fast Idle
64	7035290				Lever – Cam Follower
65	KIT ONLY				Gasket – Throttle Body
66	7011479				Spring – Idle Needle
67	7033872	7033872	7013116	7013116	Needle – Idle Adjusting
68	7029891				Screw – Throttle Body
69	7035522				Spring – Cam Follower Lever
70	7036374	7036374	7036438	7036438	Throttle Body Assembly
71	1486564				Gasket – Flange

7035006	Diverter Valve Assembly
7027646	Manifold Stat Coil Assembly (Early)
7028491	Manifold Stat Coil Assembly (Late)
7029966	Idle Speed Up Control Assembly
7035685	Lever – Speed Up Contact
7036234	Screw – Speed Up Adjusting
7011479	Spring – Adjusting Screw

NOTE: For Stripped Threads, Replace with 7041635 Kit.



# Delco Carburetor

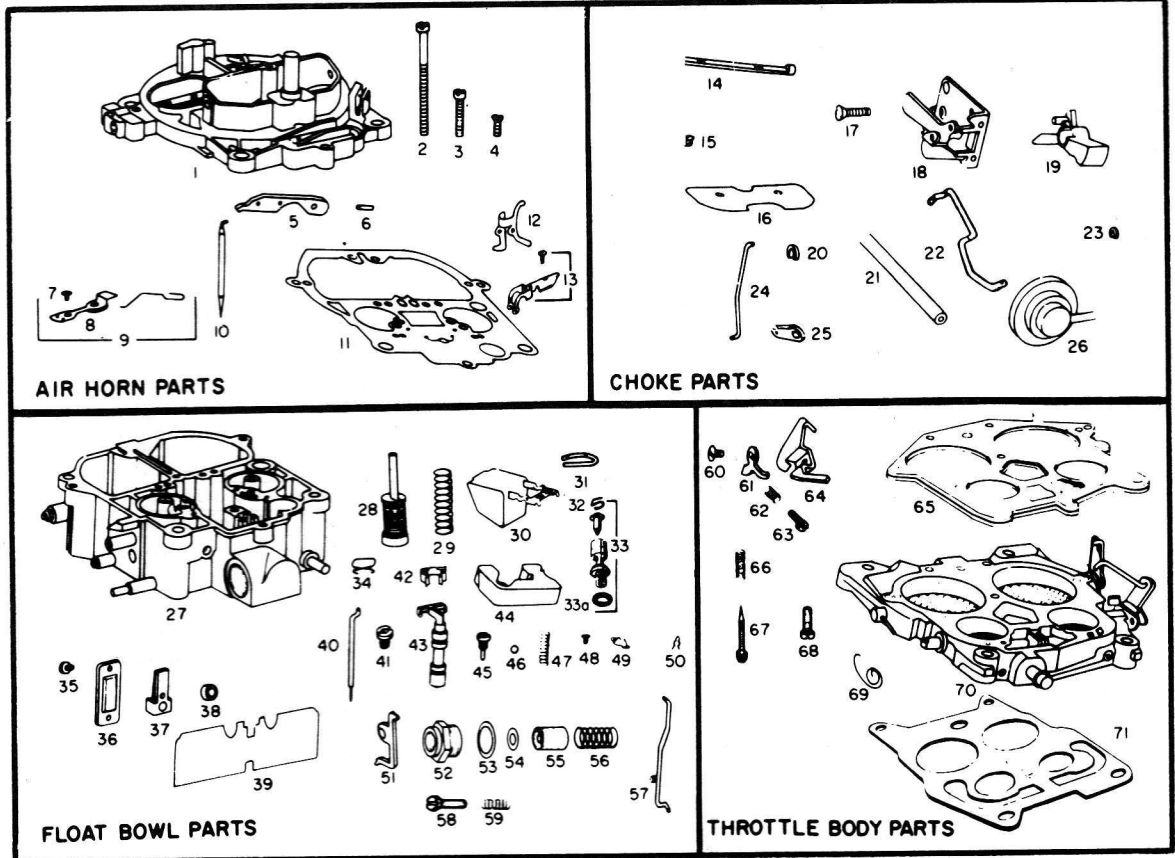
## MODEL 4MV QUADRAJET

### 1969 CADILLAC

### 472 CUBIC INCH ENGINE

BULLETIN 9C-2004  
 DATE: NOVEMBER, 1971  
 PAGE 1

PARTS SHOWN ARE FOR IDENTIFICATION ONLY. CONSULT PARTS LIST FOR CORRECT PART NAME AND NUMBER



**PARTS IN ALL COLUMNS SAME – EXCEPT WHERE INDICATED**

	STANDARD W/O AIR COND.	STANDARD AIR CONDITION	EL DORADO W/O AIR COND.	EL DORADO AIR CONDITION	APPLICATION
	7029230	7029231	7029232	7029233	CARBURETOR No.
	24-222	24-222	24-223	24-223	REPLACEMENT PKG. No.
	7036338	7036338	7036645	7036645	OVERHAUL KIT
	9144				POWER CARBURETOR KIT
	40-339				GASKET SET
	7036510				ALTITUDE KIT

Illus. No.	CHOKE PARTS				
1	7037563	7037563	7037566	7037566	Air Horn Assembly
2	7029912				Screw – Air Horn
3	7014699				Screw – Air Horn
4	7031105				Screw – Air Horn
5	7026139				Lever – Pump Actuating
6	9428787				Roll Pin – Pump and Lockout Levers
7	7012548				Screw – Idle Vent Valve
8	7029993				Valve – Idle Vent
9	7031423				Idle Vent Valve Kit
10	7035916				Metering Rod – Secondary
11	7029087				Gasket – Air Horn
12	7037361				Lockout Lever – Air Valve
13	7034522				Secondary Metering Rod Holder Kit
-	7035344				Air Valve Spring & Cam Kit
-	7035918				Shield – Lockout Lever
-	7015127				Screw – Shield Attaching

	7029230	7029231	7029232	7029233	CARBURETOR No.
Illus. No.					
14	7036433				Choke Shaft and Lever Assembly Kit
15	7029866				Screw – Choke Valve
16	7036433				Choke Valve Kit
17	7031925				Screw – Vacuum Break Control
18	7037625				Vacuum Break Control and Bracket Assembly
19	7040818				Cam – Fast Idle
20	7005109				Clip – Choke Rod
21	574372				Tee – Vacuum
22	7038167				Rod – Vacuum Break
23	7005109				Clip – Vacuum Break Rod
24	7035675				Rod – Choke
25	7031231				Lever – Intermediate Choke
26	7038237				Vacuum Break Control Assembly
FLOAT BOWL PARTS					
27	7036711	7036711	7036712	7036712	Float Bowl Assembly
28	7029989				Pump Assembly
29	7004597				Spring – Pump Return
30	7033752				Float Assembly
31	7029856				Hinge Pin – Float
32	7033751				Pull Clip – Float Needle
33	30-142				Needle and Seat Assembly
33A	KIT ONLY				Gasket – Needle Seat
34	7029862				Spring – Metering Rod – Primary
35	-				Screw – Cover Attaching
36	-				Cover – Idle Compensator
37	7034461				Idle Compensator Assembly
38	7027970				Gasket – Idle Compensator
39	7031365				Baffle Plate – Float Bowl
40	7034844	7034844	7034842	7034842	Metering Rod – Primary
41	7031970				Metering Jet – Primary
42	7034339				Retainer – Power Piston
43	7034729				Power Piston Assembly
44	7034361				Insert – Float Bowl
45	7029849				Retainer – Pump Discharge Ball
46	7002117				Ball – Pump Discharge
47	7037298				Spring – Power Piston
48	-				Screw – Diaphragm Retainer
49	-				Retainer – Float Needle Diaphragm
50	836159				Clip – Pump Rod
51	-				Lockout Lever – Secondary
52	7040952				Filter Nut – Fuel Inlet (See Note)
53	7032508				Gasket – Inlet Nut
54	-				Gasket – Filter
55	7033706				Filter – Fuel Inlet
56	-				Spring – Inlet Filter
57	7032716				Rod – Pump
58	7002121				Screw – Idle Stop
59	7003176				Spring – Idle Stop Screw
THROTTLE BODY PARTS					
60	7035523				Screw – Cam and Fast Idle Levers
61	7035524				Lever – Fast Idle
62	7029900				Spring – Fast Idle Screw
63	7029899				Screw – Fast Idle
64	7035290				Lever – Cam Follower
68	KIT ONLY				Gasket – Throttle Body
66	7011479				Spring – Idle Needle
67	7033872	7033872	7013116	7013116	Needle – Idle Adjusting
68	7035790				Screw – Throttle Body
69	7035522				Spring – Cam Follower Lever
70	7036641	7036641	7036642	7036642	Throttle Body Assembly
71	1486564				Gasket – Flange

## ACCESSORIES

7029192	Diverter Valve Assembly
7037711	Manifold Stat Coil Assembly
7029966	Idle Speed Up Control Assembly
7035685	Lever – Speed Up Contact
7036234	Screw – Speed Up Adjusting
7011479	Spring – Adjusting Screw



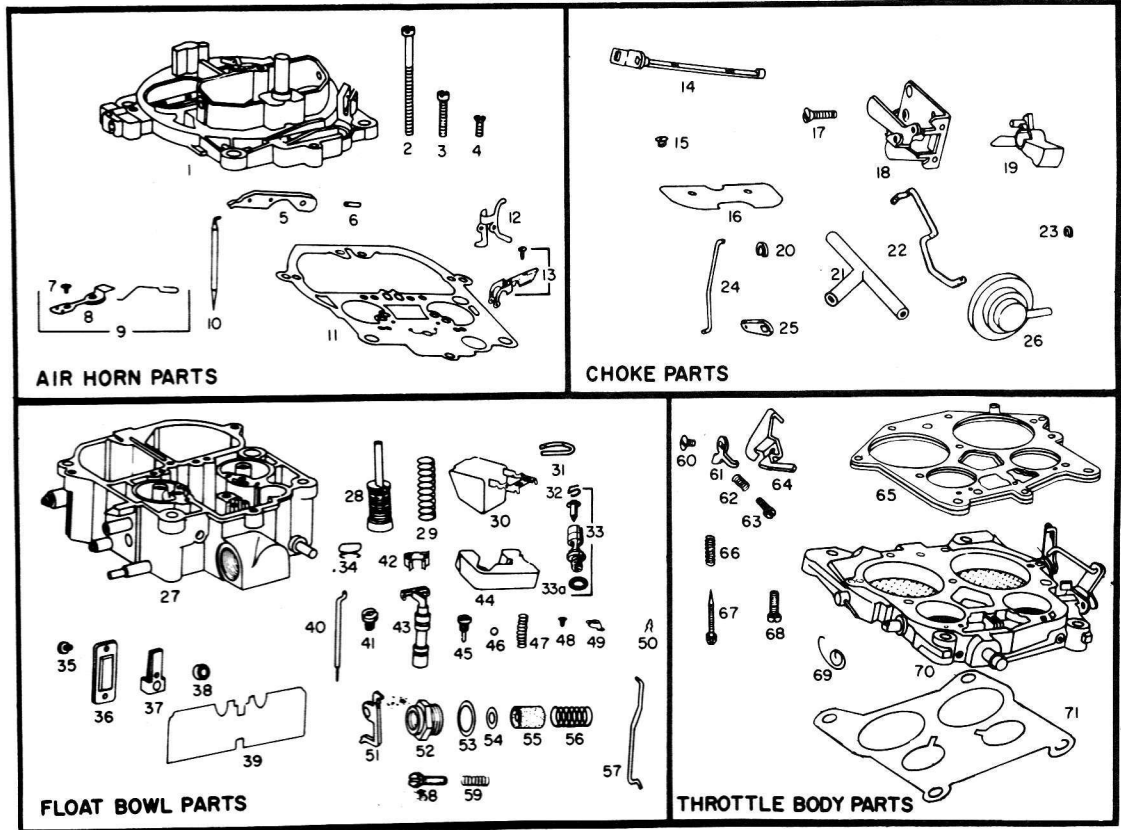


# Delco Carburetor

MODEL 4MV QUADRAJET  
1970 CADILLAC  
472 CUBIC INCH ENGINE

BULLETIN 9C-2005  
DATE: NOVEMBER, 1971  
PAGE 1

PARTS SHOWN ARE FOR IDENTIFICATION ONLY. CONSULT PARTS LIST FOR CORRECT PART NAME AND NUMBER



**PARTS IN ALL COLUMNS SAME – EXCEPT WHERE INDICATED**

	STANDARD	LIMOUSINE	EL DORADO	APPLICATION
	7040230	7040231	7040232	<b>CARBURETOR No.</b>
	24-226			<b>REPLACEMENT PKG. No.</b>
	7036850			<b>OVERHAUL KIT</b>
	9175			<b>POWER CARBURETOR KIT</b>
	40-378			<b>GASKET SET</b>
Illus. No.	AIR HORN PARTS			
1	7040674			Air Horn Assembly
2	7029912			Screw – Air Horn
3	7014699			Screw – Air Horn
4	7031105			Screw – Air Horn
5	7026139			Lever – Pump Actuating
6	9428787			Roll Pin – Pump and Lockout Levers
7	–			Screw – Idle Vent Valve
8	–			Valve – Idle Vent
9	–			Idle Vent Valve Kit
10	7035916			Metering Rod – Secondary
11	7029087			Gasket – Air Horn
12	7037361			Lockout Lever – Air Valve
13	7034522			Secondary Metering Rod Holder Kit
–	7035344			Air Valve Spring & Cam Kit
–	7035918			Shield – Lockout Lever
–	7015127			Screw – Shield Attaching

CO, WD, 131, 132:16, 9X, 9FR, 9FD

PRINTED IN U.S.A.  
© 1971, GENERAL MOTORS CORP.

	7040230	7040231	7040232	CARBURETOR No.
Illus. No.	CHOKE PARTS			
14	7036433			Choke Shaft and Lever Assembly Kit
15	7029866			Screw – Choke Valve
16	7036433			Choke Valve Kit
17	7031925			Screw – Vacuum Break Control
18	7038309			Vacuum Break Control and Bracket Assembly
19	7040843			Cam – Fast Idle
20	7005109			Clip – Choke Rod
21	7027067			Tee – Vacuum
22	7038167			Rod – Vacuum Break
23	7005109			Clip – Vacuum Break Rod
24	7035675			Rod – Choke
25	7031231			Lever – Intermediate Choke
26	7027065			Vacuum Break Control Assembly
	FLOAT BOWL PARTS			
27	7036846			Float Bowl Assembly
28	7029989			Pump Assembly
29	7004597			Spring – Pump Return
30	7033752			Float Assembly
31	7029856			Hinge Pin – Float
32	7033751			Pull Clip – Float Needle
33	30-142			Needle and Seat Assembly
33A	KIT ONLY			Gasket – Needle Seat
34	7029862			Spring – Metering Rod – Primary
35	–			Screw – Cover Attaching
36	–			Cover – Idle Compensator
37	7035667			Idle Compensator Assembly
38	7027970			Gasket – Idle Compensator
39	7031365	7031365	7031365	Baffle Plate – Float Bowl
40	7034847			Metering Rod – Primary
41	7031970			Metering Jet – Primary
42	7034339			Retainer – Power Piston
43	7034729			Power Piston Assembly
44	7034361			Insert – Float Bowl
45	7029849			Retainer – Pump Discharge Ball
46	7002117			Ball – Pump Discharge
47	7037298			Spring – Power Piston
48	–			Screw – Diaphragm Retainer
49	–			Retainer – Float Needle Diaphragm
50	–			Clip – Pump Rod
51	–			Lockout Lever – Secondary
52	7040952			Filter Nut – Fuel Inlet (See Note)
53	7032508			Gasket – Inlet Nut
54	–			Gasket – Filter
55	7033706			Filter – Fuel Inlet
56	–			Spring – Inlet Filter
57	7026138			Rod – Pump
58	7002121			Screw – Idle Stop
59	7003176			Spring – Idle Stop Screw
	THROTTLE BODY PARTS			
60	7035523			Screw – Cam and Fast Idle Levers
61	7035524			Lever – Fast Idle
62	7029900			Spring – Fast Idle Screw
63	7029899			Screw – Fast Idle
64	7035290			Lever – Cam Follower
68	KIT ONLY			Gasket – Throttle Body
66	7011479			Spring – Idle Needle
67	7040913			Needle – Idle Adjusting
68	7035790			Screw – Throttle Body
69	7035522			Spring – Cam Follower Lever
70	7036848			Throttle Body Assembly
71	1494992			Gasket – Flange

ACCESSORIES	
7038254	Manifold Stat Coil Assembly
7036763	Idle Speed Up Control Assembly
7036234	Screw – Speed Up Adjusting
7011479	Spring – Adjusting Screw
7028045	Vapor Canister (California)
7026014	Filter Element – Canister
7021739	Canister Filter Assembly
7021687	Liquid Separator (Standard)
7028034	Liquid Separator (Other)

NOTE: For Stripped Threads, Replace with 7041635 Kit.



# Delco Carburetor

MODEL 4MV QUADRAJET

1971 CADILLAC

472 & 500 CUBIC INCH ENGINE

BULLETIN 9C-2006

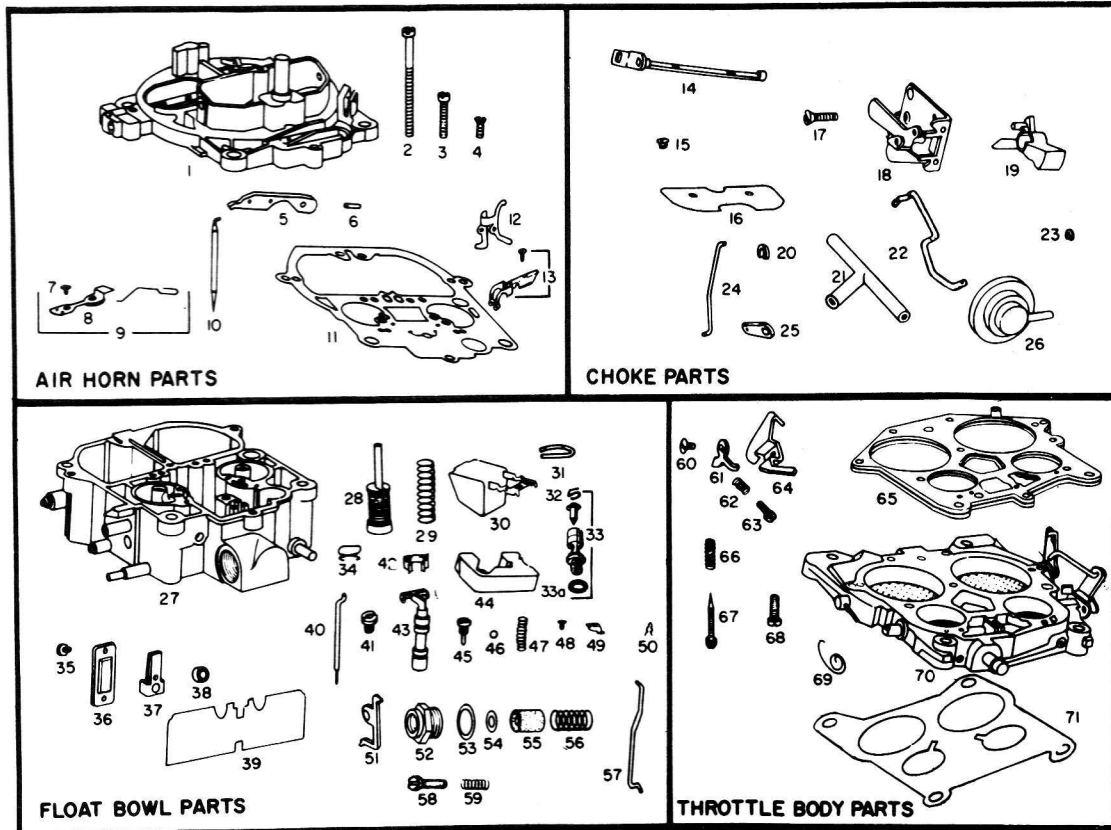
DATE: NOVEMBER, 1971

PAGE 1

REPLACES: 9C-213

DATED: NOVEMBER, 1970

PARTS SHOWN ARE FOR IDENTIFICATION ONLY. CONSULT PARTS LIST FOR CORRECT PART NAME AND NUMBER



**PARTS IN ALL COLUMNS SAME – EXCEPT WHERE INDICATED**

	STANDARD	LIMOUSINE	EL DORADO	APPLICATION
	7041230	7041231	7041232	CARBURETOR No.
	24-229	24-229	24-230	REPLACEMENT PKG. No.
	7041765	7041765	7041778	OVERHAUL KIT
	9213			POWER CARBURETOR KIT
	40-378			GASKET SET

Illus. No.	AIR HORN PARTS			
1	7044718	7044717	7042810	Air Horn Assembly
2	7029912			Screw – Air Horn
3	7014699			Screw – Air Horn
4	7031105			Screw – Air Horn
5	7026139			Lever – Pump Actuating
6	9428787			Roll Pin – Pump and Lockout Levers
7	–			Screw – Idle Vent Valve
8	–			Valve – Idle Vent
9	–			Idle Vent Valve Kit
10	7043771	7043771	7044775	Metering Rod – Secondary
11	7029087			Gasket – Air Horn
12	7037361			Lockout Lever – Air Valve
13	7034522			Secondary Metering Rod Holder Kit
–	7035344			Air Valve Spring & Cam Kit
–	7035918			Shield – Lockout Lever
–	7015127			Screw – Shield Attaching

	7041230	7041231	7041232	CARBURETOR No.
				CHOKE PARTS
Illus. No.				
14	7036433			Choke Shaft and Valve Kit
15	7029866			Screw – Choke Valve
16	NSS			Choke Valve
17	7031925			Screw – Vacuum Break Control
18	7046535			Vacuum Break Control Modification Kit
19	7045981			Cam – Fast Idle
20	7005109			Clip – Choke Rod
21	7027067			Tee – Vacuum
22	7043672			Rod – Vacuum Break
23	7005109			Clip – Vacuum Break Rod
24	7035675			Rod – Choke
25	7031231			Lever – Intermediate Choke
26	7046535			Vacuum Break Control Modification Kit
				FLOAT BOWL PARTS
27	7041761	7041814	7041811	Float Bowl Assembly
28	7029989			Pump Assembly
29	7004597			Spring – Pump Return
30	7033752			Float Assembly
31	7029856			Hinge Pin – Float
32	7033751			Pull Clip – Float Needle
33	30-142			Needle and Seat Assembly
33A	KIT ONLY			Gasket – Needle Seat
34	7029862			Spring – Metering Rod – Primary
35	–			Screw – Cover Attaching
36	–			Cover – Idle Compensator
37	–	7035667	–	Idle Compensator Assembly
38	–	7027970	–	Gasket – Idle Compensator
39	7031365			Baffle Plate – Float Bowl
40	7034847	7034847	7034839	Metering Rod – Primary
41	7031971	7031971	7031967	Metering Jet – Primary
42	7034339			Retainer – Power Piston
43	7034729			Power Piston Assembly
44	7034361			Insert – Float Bowl
45	7029849			Retainer – Pump Discharge Ball
46	7002117			Ball – Pump Discharge
47	7036019			Spring – Power Piston
48	–			Screw – Diaphragm Retainer
49	–			Retainer – Float Needle Diaphragm
50	–			Clip – Pump Rod
51	–			Lockout Lever – Secondary
52	7040952			Filter Nut – Fuel Inlet
53	7032508			Gasket – Inlet Nut
54	–			Gasket – Filter
55	7033706			Filter – Fuel Inlet
56	–			Spring – Inlet Filter
57	7026138			Rod – Pump
58	7002121			Screw – Idle Stop
59	7003176			Spring – Idle Stop Screw
				THROTTLE BODY PARTS
60	7035523			Screw – Cam and Fast Idle Levers
61	7035774			Lever – Fast Idle
62	7029900			Spring – Fast Idle Screw
63	7044794			Screw – Fast Idle
64	7029131			Lever – Cam Follower
65	KIT ONLY			Gasket – Throttle Body
66	7011479			Spring – Idle Needle
67	7041716			Idle Needle & Limiter Kit
–	7042801			Limiter Cap – Idle Needle
68	7035790			Screw – Throttle Body
69	7035772			Spring – Cam Follower Lever
70	7041763			Throttle Body Assembly
71	1494992			Gasket – Flange

NSS – Not Serviced Separately

## ACCESSORIES

7038254	Manifold Stat Coil Assembly
7029192	Diverter Valve Assembly
7028131	Vapor Canister
7026014	Filter Element – Canister
7028054	Canister Filter Assembly
7028034	Liquid Separator (D-Body)





# Delco Carburetor

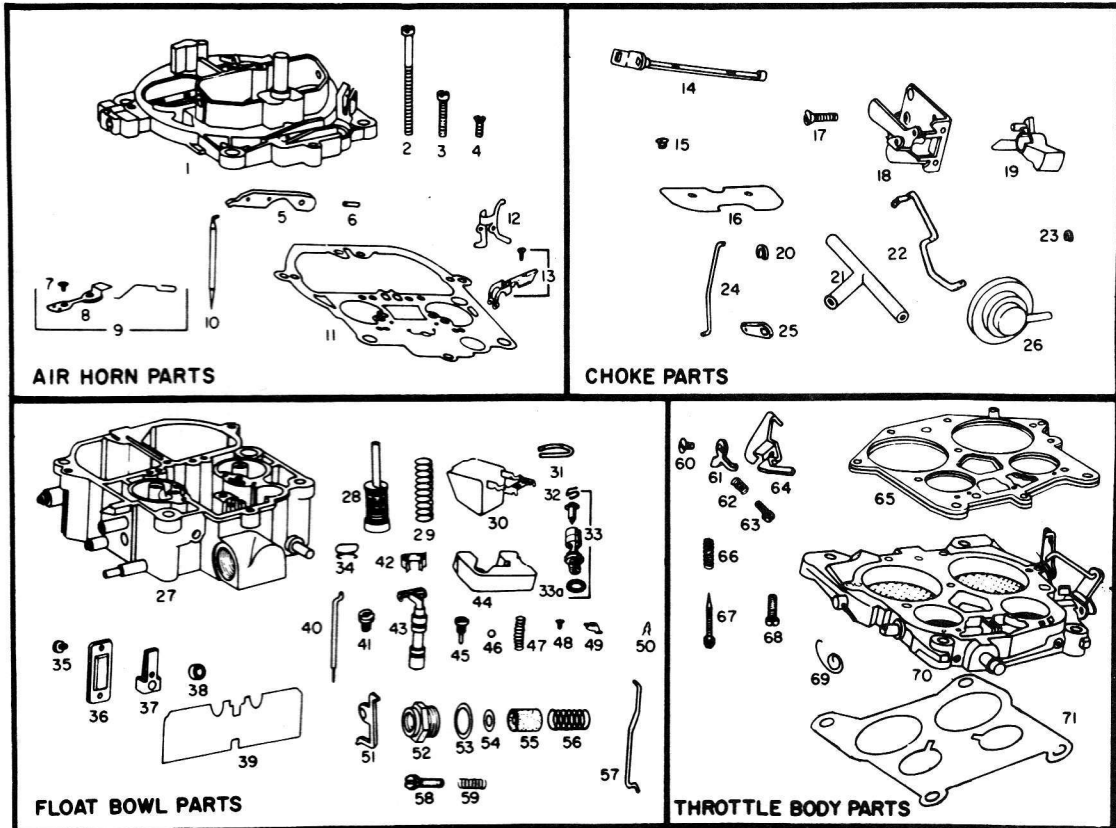
MODEL 4MV QUADRAJET

1972 CADILLAC

472 & 500 CUBIC INCH ENGINE

BULLETIN 9C-2007  
DATE: NOVEMBER, 1971  
PAGE 1

PARTS SHOWN ARE FOR IDENTIFICATION ONLY. CONSULT PARTS LIST FOR CORRECT PART NAME AND NUMBER



PARTS IN ALL COLUMNS SAME – EXCEPT WHERE INDICATED

ILLUS. NO.	FIRST TYPE			SECOND TYPE			APPLICATION
	STANDARD	LIMOUSINE	EL DORADO	STANDARD	LIMOUSINE	EL DORADO	
	7042230	7042231	7042232	7042234	7042235	7042236	CARBURETOR No. (SEE NOTE)
	24-231	24-231	24-232	24-231	24-231	24-232	REPLACEMENT PKG. No.
	7041765	7041765	7041778	7046610	7046610	7046615	OVERHAUL KIT
	9213						POWER CARBURETOR KIT
	40-378						GASKET SET
	AIR HORN PARTS						
1	7045993	7045993	7045994	7045993	7045993	7045994	Air Horn Assembly
2	7029912						Screw – Air Horn
3	7014699						Screw – Air Horn
4	7031105						Screw – Air Horn
5	7026139						Lever – Pump Actuating
6	9428787						Roll Pin – Pump and Lockout Levers
7	–						Screw – Idle Vent Valve
8	–						Valve – Idle Vent
9	–						Idle Vent Valve Kit
10	7034300	7034300	7044775	7034300	7034300	7044775	Metering Rod – Secondary
11	7029087						Gasket – Air Horn
12	7037361						Lockout Lever – Air Valve
13	7034522						Secondary Metering Rod Holder Kit
–	7035344						Air Valve Spring & Cam Kit
–	7035918						Shield – Lockout Lever
–	7015127						Screw – Shield Attaching

CO, WD, 131, 132:16, 9X, 9FR, 9FD

PRINTED IN U.S.A.  
© 1971, GENERAL MOTORS CORP.

NOTE: The 1st and 2nd type models use a 5/16" fuel inlet nut. The 3rd type models use a 3/8" fuel inlet nut. Check the nut on the replacement package and use the one from the original carburetor if necessary to adapt.

	7042230	7042231	7042232	7042234	7042235	7042236	CARBURETOR No.	
Illus. No.	CHOKE PARTS							
14	7036433						Choke Shaft and Valve Kit	
15	7029866						Screw – Choke Valve	
16	7036021						Choke Valve	
17	7031925						Screw – Vacuum Break Control	
18	7045921						Vacuum Break Control and Bracket	
19	7045981						Cam – Fast Idle	
20	7005109						Clip – Choke Rod	
21	7027067						Tee – Vacuum	
22	7030701						Rod – Vacuum Break	
23	7005109						Clip – Vacuum Break Rod	
24	7035675						Rod – Choke	
25	7031231						Lever – Intermediate Choke	
26	7030524						Vacuum Break Control Assembly	
	FLOAT BOWL PARTS							
27	7041884	7041885	7041886	7041884	7041885	7041886	Float Bowl Assembly	
28	7029989						Pump Assembly	
29	7004597						Spring – Pump Return	
30	7033752						Float Assembly	
31	7029856						Hinge Pin – Float	
32	7033751						Pull Clip – Float Needle	
33	30-142						Needle and Seat Assembly	
33A	KIT ONLY						Gasket – Needle Seat	
34	7029862						Spring – Metering Rod – Primary	
35	–						Screw – Cover Attaching	
36	–						Cover – Idle Compensator	
37	–	7035667	–	–	7035667	–	Idle Compensator Assembly	
38	–	KIT ONLY	–	–	KIT ONLY	–	Gasket – Idle Compensator	
39	7031365						Baffle Plate – Float Bowl	
40	7034847	7034847	7034839	7034843	7034843	7034841	Metering Rod – Primary	
41	7031971	7031971	7031967	7031969	7031969	7031967	Metering Jet – Primary	
42	7034339						Retainer – Power Piston	
43	7034903						Power Piston Assembly	
44	7034361						Insert – Float Bowl	
45	7029849						Retainer – Pump Discharge Ball	
46	7002117						Ball – Pump Discharge	
47	7036019	7036019	7036019	7029529	7029529	7029529	Spring – Power Piston	
48	–						Screw – Diaphragm Retainer	
49	–						Retainer – Float Needle Diaphragm	
50	–						Clip – Pump Rod	
51	–						Lockout Lever – Secondary	
52	7045734						Filter Nut – Fuel Inlet	
53	7024281						Gasket – Inlet Nut	
54	–						Gasket – Filter	
55	7033706						Filter – Fuel Inlet	
56	–						Spring – Inlet Filter	
57	7026138						Rod – Pump	
58	7002121						Screw – Idle Stop	
59	7003176						Spring – Idle Stop Screw	
	THROTTLE BODY PARTS							
60	7035523						Screw – Cam and Fast Idle Levers	
61	7030677						Lever – Fast Idle	
62	7029900						Spring – Fast Idle Screw	
63	7044794						Screw – Fast Idle	
64	7029131						Lever – Cam Follower	
65	KIT ONLY						Gasket – Throttle Body	
66	7011479						Spring – Idle Needle	
67	7041716						Idle Needle & Limiter Kit	
–	7042801						Limiter Cap – Idle Needle	
68	7035790						Screw – Throttle Body	
69	7035772						Spring – Cam Follower Lever	
70	7041763	7041763	7041763	7046609	7046609	7046609	Throttle Body Assembly	
71	1494992						Gasket – Flange	

## ACCESSORIES

7042091	Manifold Stat Coil Assembly
7029192	Diverter Valve Assembly
7028131	Vapor Canister
7026014	Filter Element – Canister
7028054	Canister Filter Assembly
7028034	Liquid Separator (D-Body)



# Delco Carburetor

MODEL 4MV QUADRAJET

1972 CADILLAC

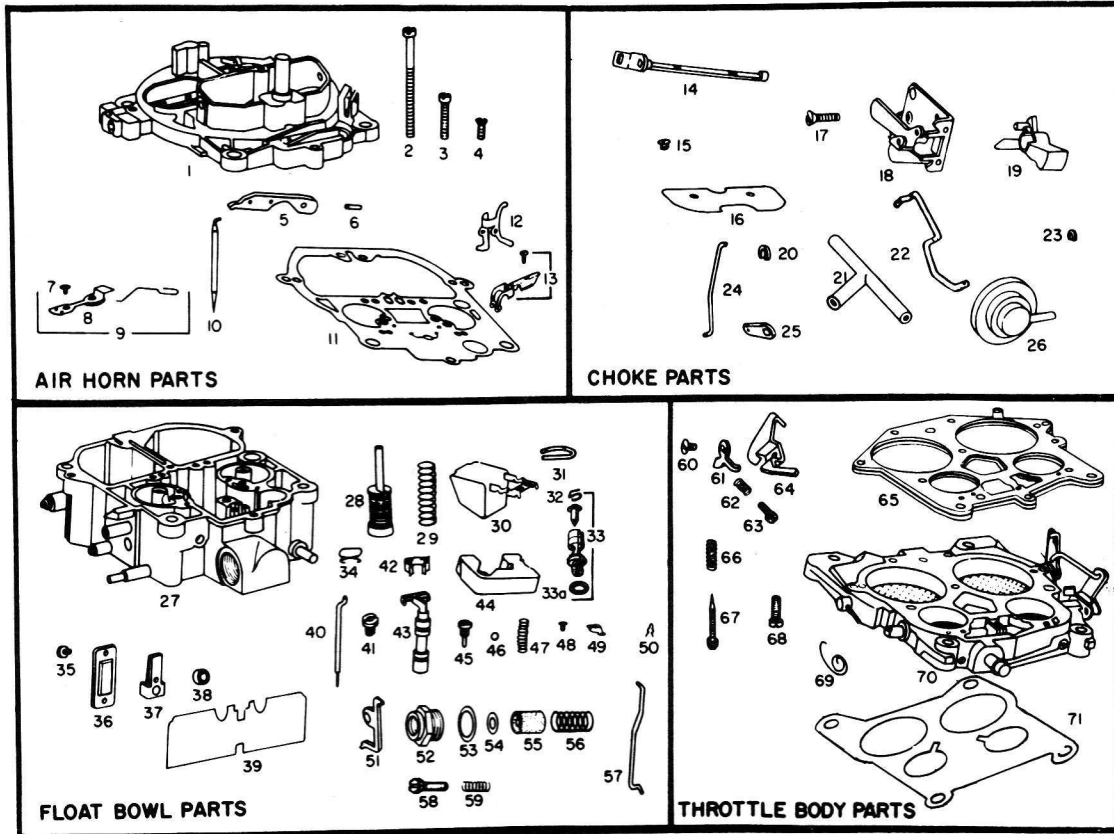
472 & 500 CUBIC INCH ENGINE (THIRD TYPE)

BULLETIN 9C-2008

DATE: NOVEMBER, 1971

PAGE 1

PARTS SHOWN ARE FOR IDENTIFICATION ONLY. CONSULT PARTS LIST FOR CORRECT PART NAME AND NUMBER



PARTS IN ALL COLUMNS SAME - EXCEPT WHERE INDICATED

	STANDARD	LIMOUSINE	EL DORADO	APPLICATION
	7042237	7042238	7042239	CARBURETOR No. (SEE NOTE)
	24-231	24-231	24-232	REPLACEMENT PKG. No.
	7046610	7046610	7046615	OVERHAUL KIT
	9213			POWER CARBURETOR KIT
	40-378			GASKET SET
Illus No.	AIR HORN PARTS			
1	7045993	7045993	7045994	Air Horn Assembly
2	7029912			Screw - Air Horn
3	7014699			Screw - Air Horn
4	7031105			Screw - Air Horn
5	7026139			Lever - Pump Actuating
6	9428787			Roll Pin - Pump and Lockout Levers
7	-			Screw - Idle Vent Valve
8	-			Valve - Idle Vent
9	-			Idle Vent Valve Kit
10	7034300	7034300	7044775	Metering Rod - Secondary
11	7029087			Gasket - Air Horn
12	7037361			Lockout Lever - Air Valve
13	7034522			Secondary Metering Rod Holder Kit
-	7035344			Air Valve Spring & Cam Kit
-	7035918			Shield - Lockout Lever
-	7015127			Screw - Shield Attaching

CO, WD, 131, 132:16, 9X, 9FR, 9FD

PRINTED IN U.S.A.  
© 1971, GENERAL MOTORS CORP.

NOTE: The 1st and 2nd type models use a 5/16" fuel inlet nut. The 3rd type models use a 3/8" fuel inlet nut. Check the nut on the replacement package and use the one from the original carburetor if necessary to adapt.

	7042237	7042238	7042239	CARBURETOR No.
Illus. No.	CHOKE PARTS			
14	7036433			Choke Shaft and Valve Kit
15	7029866			Screw – Choke Valve
16	7036021			Choke Valve
17	7031925			Screw – Vacuum Break Control
18	7045921			Vacuum Break Control and Bracket Assembly
19	7045981			Cam – Fast Idle
20	7005109			Clip – Choke Rod
21	7027067			Tee – Vacuum
22	7030701			Rod – Vacuum Break
23	7005109			Clip – Vacuum Break Rod
24	7035675			Rod – Choke
25	7031231			Lever – Intermediate Choke
26	7030524			Vacuum Break Control Assembly
	FLOAT BOWL PARTS			
27	7041884	7041885	7041886	Float Bowl Assembly
28	7029989			Pump Assembly
29	7004597			Spring – Pump Return
30	7033752			Float Assembly
31	7029856			Hinge Pin – Float
32	7033751			Pull Clip – Float Needle
33	30-142			Needle and Seat Assembly
33A	KIT ONLY			Gasket – Needle Seat
34	7029862			Spring – Metering Rod – Primary
35	–			Screw – Cover Attaching
36	–			Cover – Idle Compensator
37	–	7035667	–	Idle Compensator Assembly
38	–	KIT ONLY	–	Gasket – Idle Compensator
39	7031365			Baffle Plate – Float Bowl
40	7034843	7034843	7034841	Metering Rod – Primary
41	7031969	7031969	7031967	Metering Jet – Primary
42	7034339			Retainer – Power Piston
43	7034903			Power Piston Assembly
44	7034361			Insert – Float Bowl
45	7029849			Retainer – Pump Discharge Ball
46	7002117			Ball – Pump Discharge
47	7029529			Spring – Power Piston
48	–			Screw – Diaphragm Retainer
49	–			Retainer – Float Needle Diaphragm
50	–			Clip – Pump Rod
51	–			Lockout Lever – Secondary
52	7046484			Filter Nut – Fuel Inlet
53	7024281			Gasket – Inlet Nut
54	–			Gasket – Filter
55	7033706			Filter – Fuel Inlet
56	–			Spring – Inlet Filter
57	7026138			Rod – Pump
58	7002121			Screw – Idle Stop
59	7003176			Spring – Idle Stop Screw
	THROTTLE BODY PARTS			
60	7035523			Screw – Cam and Fast Idle Levers
61	7030677			Lever – Fast Idle
62	7029900			Spring – Fast Idle Screw
63	7044794			Screw – Fast Idle
64	7029131			Lever – Cam Follower
65	KIT ONLY			Gasket – Throttle Body
66	7011479			Spring – Idle Needle
67	7041716			Idle Needle & Limiter Kit
–	7042801			Limiter Cap – Idle Needle
68	7035790			Screw – Throttle Body
69	7035772			Spring – Cam Follower Lever
70	7046609			Throttle Body Assembly
71	1494992			Gasket – Flange

ACCESSORIES			
7042091	Manifold Stat Coil Assembly	7026014	Filter Element – Canister
7029192	Diverter Valve Assembly	7028054	Canister Filter Assembly
7028131	Vapor Canister	7028034	Liquid Separator (D-Body)





# Delco Carburetor

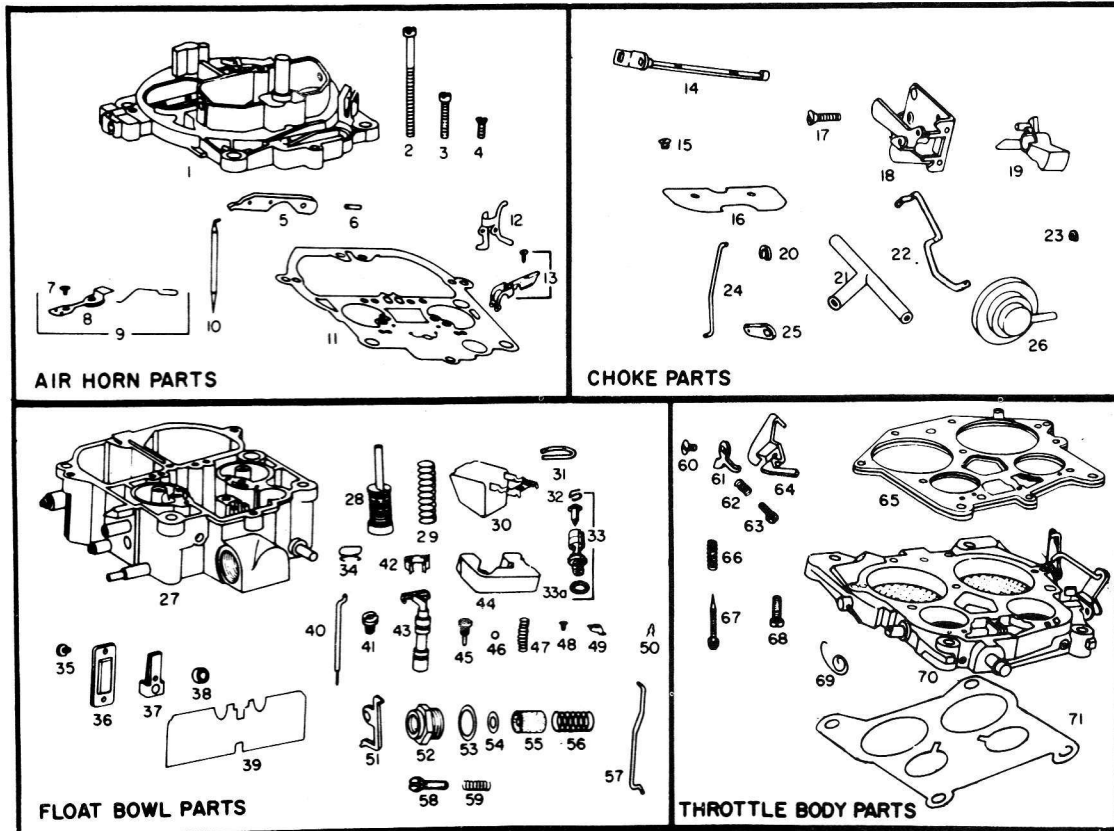
MODEL 4MV QUADRAJET

1973 CADILLAC

472 & 500 CUBIC INCH ENGINE

BULLETIN 9C-2009  
DATE: NOVEMBER, 1972  
PAGE 1

PARTS SHOWN ARE FOR IDENTIFICATION ONLY CONSULT PARTS LIST FOR CORRECT PART NAME AND NUMBER



**PARTS IN ALL COLUMNS SAME – EXCEPT WHERE INDICATED**

	STD & LIMO	COMMERCIAL	EL DORADO	APPLICATION
	7043230	7043233	7043232	CARBURETOR No. (CALIFORNIA)
	7043234	7043233	7043235	CARBURETOR No. (NON CALIF.)
	24-233	24-235	24-234	REPLACEMENT PKG. No.
	7046650	7046882	7046651	OVERHAUL KIT
	9244			POWER CARBURETOR KIT
	40-409			GASKET SET
Illus. No.	AIR HORN PARTS			
1	7047666	7047997	7047666	Air Horn Assembly
2	7029912			Screw—Air Horn
3	7014699			Screw—Air Horn
4	7031105			Screw—Air Horn
5	7048028			Lever—Pump Actuating
6	9428787			Roll Pin—Pump and Lockout Levers
7	—			Screw—Idle Vent Valve
8	—			Valve—Idle Vent
9	—			Idle Vent Valve Kit
10	7044775			Metering Rod—Secondary
11	7029087			Gasket—Air Horn
12	7037361			Lockout Lever—Air Valve
13	7034522			Secondary Metering Rod Holder Kit
—	7035344			Air Valve Spring & Cam Kit
—	7035918			Shield—Lockout Lever
—	7015127			Screw—Shield Attaching
	CHOKE PARTS			
14	7036063			Choke Shaft and Lever Assembly
15	7029866			Screw—Choke Valve
16	7045995			Choke Valve
17	7031925			Screw—Vacuum Break Control

	7043230	7043233	7043232	CARBURETOR No.
	7043234	7043233	7043235	CARBURETOR No.
CHOKE PARTS (Continued)				
18	7046234			Vacuum Break Control and Bracket Assembly
19	7047689			Cam—Fast Idle
20	7005109			Clip—Choke Rod
21	7027067			Tee—Vacuum
22	7030701			Rod—Vacuum Break
23	7005109			Clip—Vacuum Break Rod
24	7035675			Rod—Choke
25	7031231			Lever—Intermediate Choke
26	7030775			Vacuum Break Control Assembly
FLOAT BOWL PARTS				
27	7046680	7046680	7046647	Float Bowl Assembly
28	7029989			Pump Assembly
29	7004597			Spring—Pump Return
30	7033752			Float Assembly
31	7029856			Hinge Pin—Float
32	7033751			Pull Clip—Float Needle
33	30-142			Needle and Seat Assembly
33A	KIT ONLY			Gasket—Needle Seat
34	7029862			Spring—Metering Rod—Primary
35	—			Screw—Cover Attaching
36	—			Cover—Idle Compensator
37	—			Idle Compensator Assembly
38	—			Gasket—Idle Compensator
39	7031365			Baffle Plate—Float Bowl
40	7034842	7034836	7034845	Metering Rod—Primary
41	7031968	7031967	7031969	Metering Jet—Primary
42	—			Retainer—Power Piston
43	7034903			Power Piston Assembly
44	7034361			Insert—Float Bowl
45	7029849			Retainer—Pump Discharge Ball
46	7002117			Ball—Pump Discharge
47	7037851	7037734	7037851	Spring—Power Piston
48	—			Screw—Diaphragm Retainer
49	—			Retainer—Float Needle Diaphragm
50	—			Clip—Pump Rod
51	—			Lockout Lever—Secondary
52	7046484			Filter Nut—Fuel Inlet
53	7024281			Gasket—Inlet Nut
54	—			Gasket—Filter
55	7033706			Filter—Fuel Inlet
56	—			Spring—Inlet Filter
57	7026138			Rod—Pump
58	7002121			Screw—Idle Stop
59	7003176			Spring—Idle Stop Screw
THROTTLE BODY PARTS				
60	7035523			Screw—Cam and Fast Idle Levers
61	7030677			Lever—Fast Idle
62	7029900			Spring—Fast Idle Screw
63	7044794			Screw—Fast Idle
64	7043634			Lever—Cam Follower
65	KIT ONLY			Gasket—Throttle Body
66	7011479			Spring—Idle Needle
67	7041716			Idle Needle & Limiter Kit
—	7042801			Limiter Cap—Idle Needle
68	7035790			Screw—Throttle Body
69	7035772			Spring—Cam Follower Lever
70	7046649			Throttle Body Assembly
71	1494992			Gasket—Flange
ACCESSORIES				
—	7028131			Vapor Canister
—	7026014			Filter Element—Canister
—	7028054			Canister Filter Assembly
—	7028034			Liquid Separator (Limousine)
—	7030761	7030826	7030761	Diverter Valve Assembly
—	7040556	7030695	7030695	EGR Valve (California)
—	7040571	7030695	7040556	EGR Valve (Non Calif.)
—	7043091	7043091	7043091	Manifold Stat Coil Assy. (California)
—	7043091	7043091	7043093	Manifold Stat Coil Assy. (Non-Calif.)



# Delco Carburetor

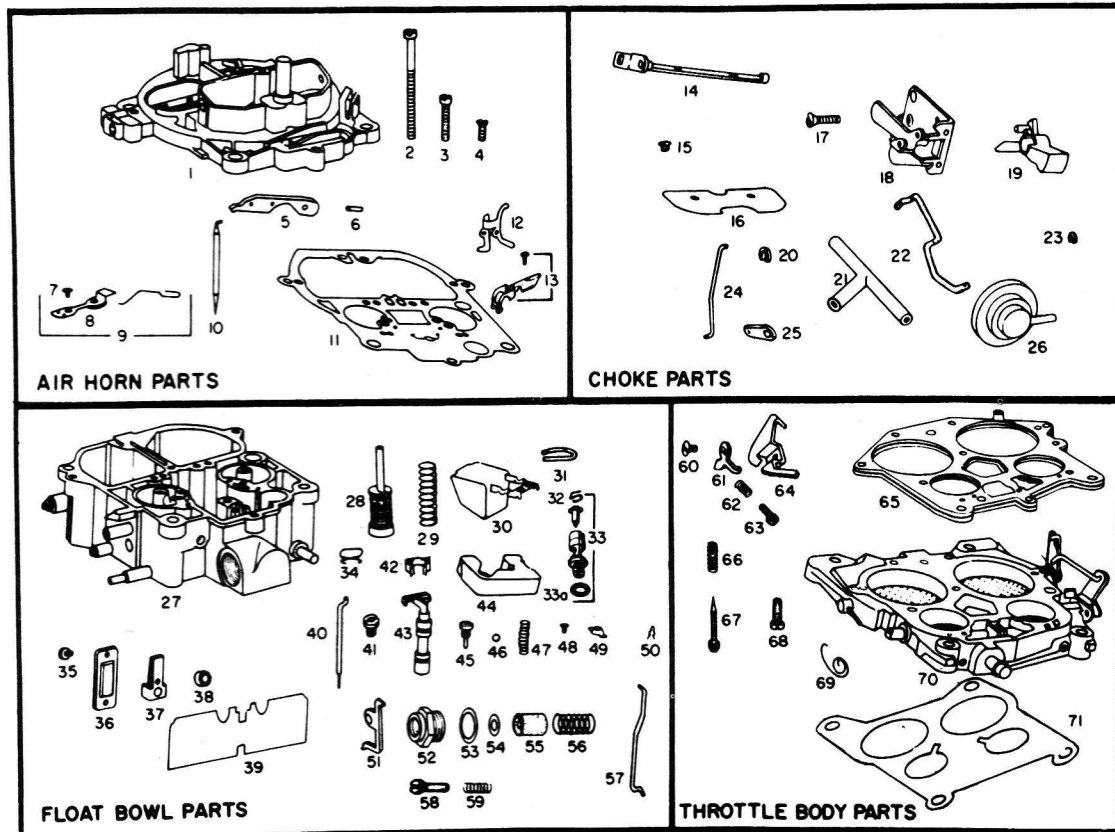
MODEL 4MV QUADRAJET

1974 CADILLAC

472 & 500 CUBIC INCH ENGINE

BULLETIN 9C-2010  
DATE: NOVEMBER, 1973  
PAGE 1

PARTS SHOWN ARE FOR IDENTIFICATION ONLY CONSULT PARTS LIST FOR CORRECT PART NAME AND NUMBER



PARTS IN ALL COLUMNS SAME – EXCEPT WHERE INDICATED

	STD & LIMO	COMMERCIAL	EL DORADO	APPLICATION
	7044530	7044233	7044532	CARBURETOR No. (CALIFORNIA)
	7044230	7044233	7044232	CARBURETOR No. (NON CALIF.)
	24-239	24-238	24-240	REPLACEMENT PKG. No. (California)
	24-236	24-238	24-237	REPLACEMENT PKG. No. (Non Calif.)
	7046650	7046882	7046651	OVERHAUL KIT
	9244			POWER CARBURETOR KIT
	40-409			GASKET SET
	AIR HORN PARTS			
Illus. No.				
1	7048957	7048958	7049945	Air Horn Assembly
2	7029912			Screw—Air Horn
3	7014699			Screw—Air Horn
4	7031105			Screw—Air Horn
5	7048169			Lever—Pump Actuating
6	9428787			Roll Pin—Pump and Lockout Levers
7	—			Screw—Idle Vent Valve
8	—			Valve—Idle Vent
9	—			Idle Vent Valve Kit
10	7048890			Metering Rod—Secondary
11	7029087			Gasket—Air Horn
12	7037361			Lockout Lever—Air Valve
13	7034522			Secondary Metering Rod Holder Kit
—	7035344			Air Valve Spring & Cam Kit
—	7035918			Shield—Lockout Lever
—	7015127			Screw—Shield Attaching
	CHOKE PARTS			
14	7036063			Choke Shaft and Valve Kit
15	7022286			Screw—Choke Valve
16	7045995			Choke Valve
17	7031925			Screw—Vacuum Break Control

	7044530	7044233	7044532	CARBURETOR No. (California)
	7044230	7044233	7044232	CARBURETOR No. (Non Calif.)
CHOKE PARTS (Continued)				
18	7046234			Vacuum Break Control and Bracket Assembly
19	7048961			Cam—Fast Idle
20	7005109			Clip—Choke Rod
21	7027067			Tee—Vacuum
22	7030701			Rod—Vacuum Break
23	7005109			Clip—Vacuum Break Rod
24	7035675			Rod—Choke
25	7031231			Lever—Intermediate Choke
26	7030775			Vacuum Break Control Assembly
FLOAT BOWL PARTS				
27	7046680	7046680	7046647	Float Bowl Assembly
28	7029989			Pump Assembly
29	7041169			Spring—Pump Return
30	7033752			Float Assembly
31	7029856			Hinge Pin—Float
32	7033751			Pull Clip—Float Needle
33	30-142			Needle and Seat Assembly
33A	KIT ONLY			Gasket—Needle Seat
34	7029862			Spring—Metering Rod—Primary
35	—			Screw—Cover Attaching
36	—			Cover—Idle Compensator
37	—			Idle Compensator Assembly
38	—			Gasket—Idle Compensator
39	7031365			Baffle Plate—Float Bowl
40	7034841	7034836	7034845	Metering Rod—Primary
41	7031968	7031966	7031969	Metering Jet—Primary
42	—			Retainer—Power Piston
43	7034903			Power Piston Assembly
44	7034361			Insert—Float Bowl
45	7029849			Retainer—Pump Discharge Ball
46	7002117			Ball—Pump Discharge
47	7037851	7037734	7037851	Spring—Power Piston
48	—			Screw—Diaphragm Retainer
49	—			Retainer—Float Needle Diaphragm
50	—			Clip—Pump Rod
51	—			Lockout Lever—Secondary
52	7046484			Filter Nut—Fuel Inlet
53	7024281			Gasket—Inlet Nut
54	—			Gasket—Filter
55	7033706			Filter—Fuel Inlet
56	—			Spring—Inlet Filter
57	7026138			Rod—Pump
58	7002121			Screw—Idle Stop
59	7003176			Spring—Idle Stop Screw
THROTTLE BODY PARTS				
60	7035523			Screw—Cam and Fast Idle Levers
61	7030677			Lever—Fast Idle
62	7029900			Spring—Fast Idle Screw
63	7044794			Screw—Fast Idle
64	7043634			Lever—Cam Follower
65	KIT ONLY			Gasket—Throttle Body
66	7011479			Spring—Idle Needle
67	7042457			Idle Needle
68	7035790			Screw—Throttle Body
69	7035772			Spring—Cam Follower Lever
70	7046955	7046954	7046955	Throttle Body Assembly (California)
70	7046953	7046954	7046649	Throttle Body Assembly (Non Calif.)
71	1494992			Gasket—Flange
ACCESSORIES				
	7044092			Manifold Stat Coil Assy.





# Delco Carburetor

MODEL 4MV QUADRAJET

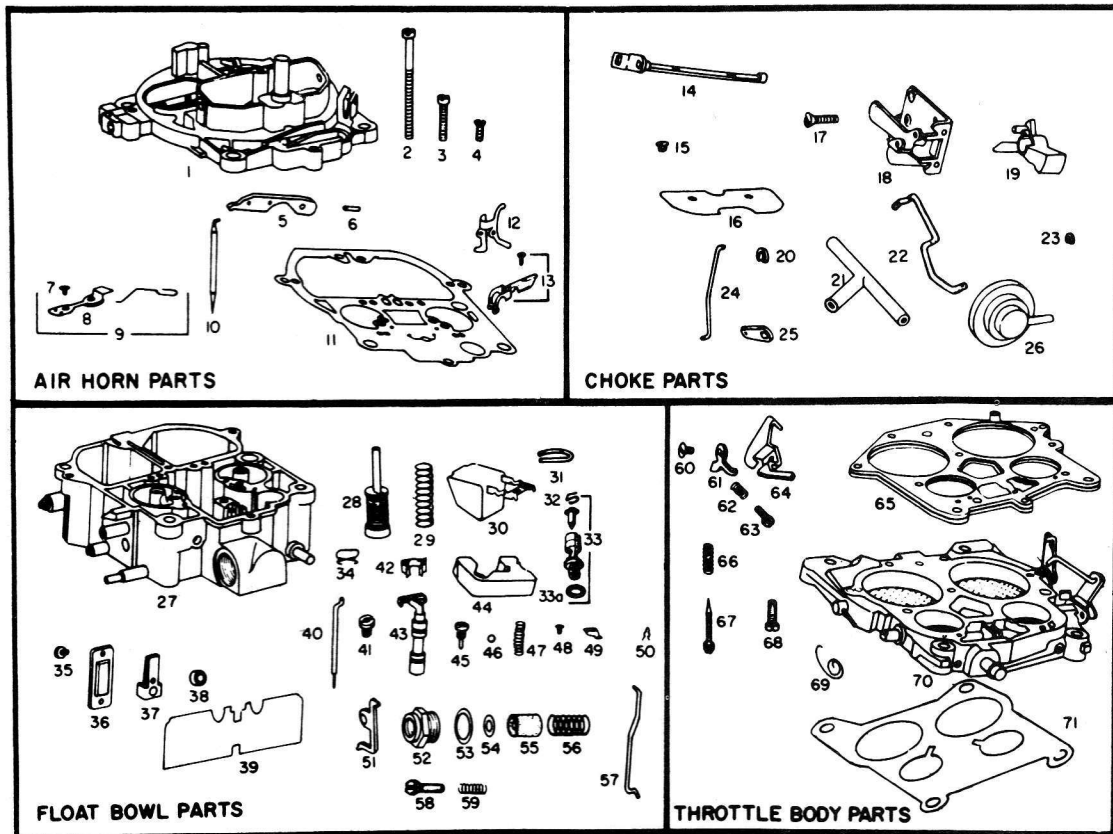
1974 CADILLAC

472 & 500 CUBIC INCH ENGINE

ALTITUDE

BULLETIN 9C-2011  
DATE: NOVEMBER, 1973  
PAGE 1

PARTS SHOWN ARE FOR IDENTIFICATION ONLY CONSULT PARTS LIST FOR CORRECT PART NAME AND NUMBER



**PARTS IN ALL COLUMNS SAME – EXCEPT WHERE INDICATED**

	STD	EL DORADO	APPLICATION
	7044234	7044235	CARBURETOR No.
	24-242	24-244	REPLACEMENT PKG. No.
	17050633		OVERHAUL KIT
	9244		POWER CARBURETOR KIT
	40-409		GASKET SET
Illus. No.	AIR HORN PARTS		
1	17050305	17050306	Air Horn Assembly
2	7029912		Screw—Air Horn
3	7014699		Screw—Air Horn
4	7031105		Screw—Air Horn
5	7048169		Lever—Pump Actuating
6	9428787		Roll Pin—Pump and Lockout Levers
7	—		Screw—Idle Vent Valve
8	—		Valve—Idle Vent
9	—		Idle Vent Valve Kit
10	7048890		Metering Rod—Secondary
11	7029087		Gasket—Air Horn
12	7037361		Lockout Lever—Air Valve
13	7034522		Secondary Metering Rod Holder Kit
—	7035344		Air Valve Spring & Cam Kit
—	7035918		Shield—Lockout Lever
—	7015127		Screw—Shield Attaching
	CHOKE PARTS		
14	7036063		Choke Shaft and Valve Kit
15	7029866		Screw—Choke Valve
16	7045995		Choke Valve
17	7031925		Screw—Vacuum Break Control

	7044234	7044235	CARBURETOR No.
	CHOKE PARTS (Continued)		
18	7046234		Vacuum Break Control and Bracket Assembly
19	7048961		Cam—Fast Idle
20	7005109		Clip—Choke Rod
21	7027067		Tee—Vacuum
22	7030701		Rod—Vacuum Break
23	7005109		Clip—Vacuum Break Rod
24	7035675		Rod—Choke
25	7031231		Lever—Intermediate Choke
26	7030775		Vacuum Break Control Assembly
	FLOAT BOWL PARTS		
27	7046680	7046647	Float Bowl Assembly
28	7029989		Pump Assembly
29	7041169		Spring—Pump Return
30	7033752		Float Assembly
31	7029856		Hinge Pin—Float
32	7033751		Pull Clip—Float Needle
33	30-142		Needle and Seat Assembly
33A	KIT ONLY		Gasket—Needle Seat
34	7029862		Spring—Metering Rod—Primary
35	—		Screw—Cover Attaching
36	—		Cover—Idle Compensator
37	—		Idle Compensator Assembly
38	—		Gasket—Idle Compensator
39	7031365		Baffle Plate—Float Bowl
40	7034839		Metering Rod—Primary
41	7031968		Metering Jet—Primary
42	—		Retainer—Power Piston
43	7034903		Power Piston Assembly
44	7034361		Insert—Float Bowl
45	7029849		Retainer—Pump Discharge Ball
46	7002117		Ball—Pump Discharge
47	7041477		Spring—Power Piston
48	—		Screw—Diaphragm Retainer
49	—		Retainer—Float Needle Diaphragm
50	—		Clip—Pump Rod
51	—		Lockout Lever—Secondary
52	7046484		Filter Nut—Fuel Inlet
53	7024281		Gasket—Inlet Nut
54	—		Gasket—Filter
55	7033706		Filter—Fuel Inlet
56	—		Spring—Inlet Filter
57	7026138		Rod—Pump
58	7002121		Screw—Idle Stop
59	7003176		Spring—Idle Stop Screw
	THROTTLE BODY PARTS		
60	7035523		Screw—Cam and Fast Idle Levers
61	7030677		Lever—Fast Idle
62	7029900		Spring—Fast Idle Screw
63	7044794		Screw—Fast Idle
64	7043634		Lever—Cam Follower
65	KIT ONLY		Gasket—Throttle Body
66	7011479		Spring—Idle Needle
67	7042457		Idle Needle
68	7035790		Screw—Throttle Body
69	7035772		Spring—Cam Follower Lever
70	7046953	17050663	Throttle Body Assembly
71	1494992		Gasket—Flange
	ACCESSORIES		
	7044092		Manifold Stat Coil Assy.



# Delco Carburetor

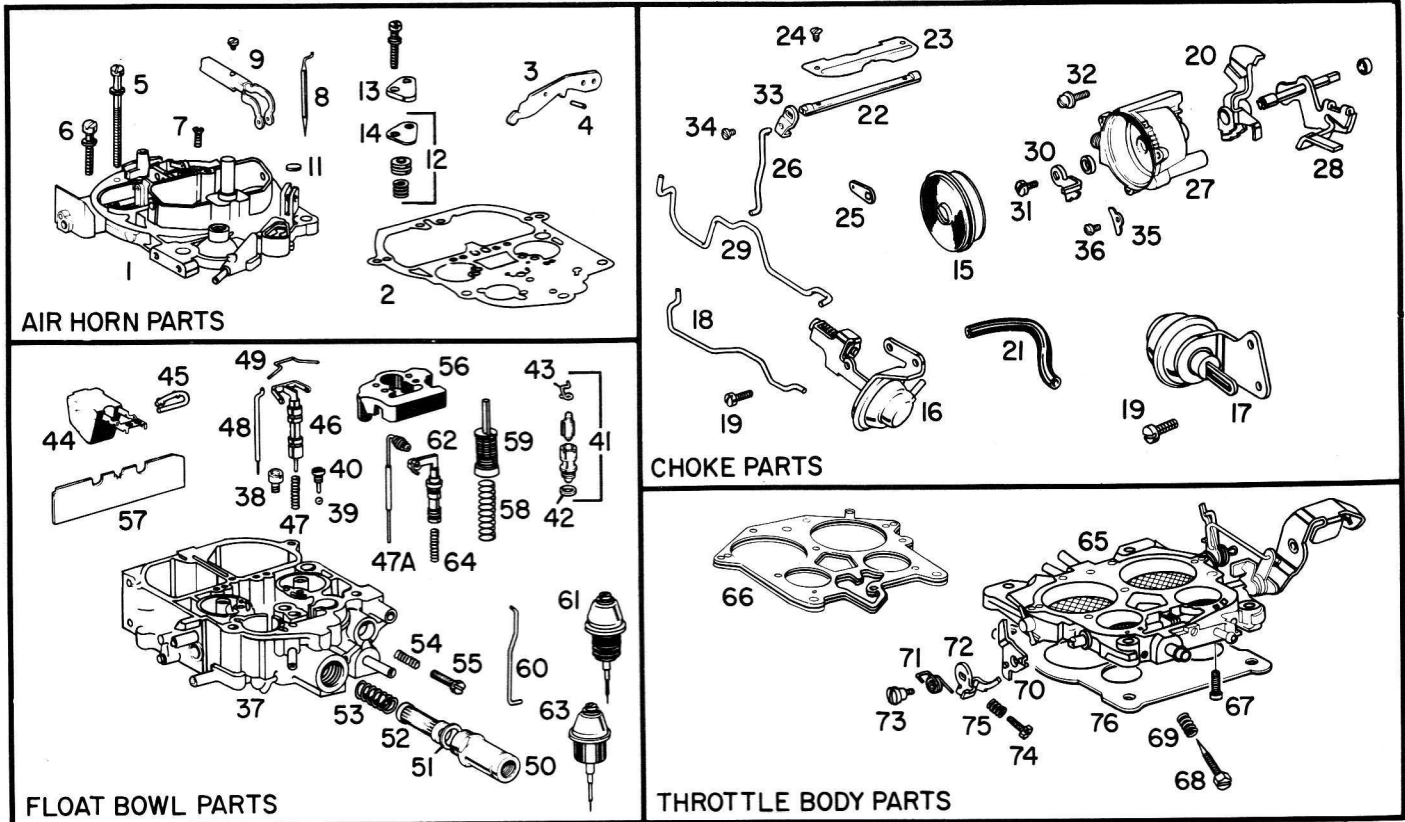
## MODEL M4MEA QUADRAJET

### 1975 CADILLAC

#### 500 CUBIC INCH ENGINE

**BULLETIN: 9C-2012**  
 DATE: NOVEMBER 1975  
 PAGE: 1  
 REPLACES 9C-2012  
 DATED JANUARY 1975

PARTS SHOWN ARE FOR IDENTIFICATION ONLY. CONSULT PARTS LIST FOR CORRECT PART NAME AND NUMBER



**PARTS IN ALL COLUMNS SAME — EXCEPT WHERE INDICATED**

	EARLY FEDERAL	CALIFORNIA	LATE FEDERAL	APPLICATION
	<b>7045230</b>	<b>7045530</b>	<b>7045193</b>	<b>CARBURETOR No.</b>
	<b>24-243</b>	<b>24-244</b>	<b>24-245</b>	<b>REPLACEMENT PACKAGE No.</b>
	17051963	17052731	17052824	OVERHAUL KIT
	9274			POWER CARBURETOR KIT
	40-433			GASKET SET

Illus. No.	AIR HORN PARTS			
1	SEE NOTE			Air Horn Assembly
2	7043363			Gasket—Air Horn
3	7048169			Lever—Pump Actuating
4	9428787			Roll Pin—Pump & Lockout Lever Hinge
5	7029912			Screw—Air Horn
6	7014699			Screw—Air Horn
7	7031105			Screw—Air Horn
8	7048992			Metering Rod—Secondary
9	7034522			Sec. Metering Rod Holder Kit
10	7035344			Air Valve Spring & Cam Kit
11	7037801			Plug—Idle Vent
12	17052761			Idle Vent Valve Kit
13	7043045			Cover Idle Vent
14	7043044			Gasket Idle Vent Cover

CO, WD, 131, 132: 16, 9X, 9FR

PRINTED IN U.S.A.  
 © 1975 GENERAL MOTORS CORP.

NOTE: 17053378 Air Horn — Federal  
 For all **except** Eldorado with Vehicle Identification **before** 127951 and for Eldorado with Vehicle Identification **before** 408526, also replace Float Bowl with 17052822.  
 17053379 Air Horn — California  
 For all **except** Eldorado with Vehicle Identification **before** 140376 and for Eldorado with Vehicle Identification **before** 410338, also replace Float Bowl with 17052823.

	7045230	7045530	7045193	CARBURETOR No.
Illus. No.	CHOKE PARTS			
15	7043450			Electric Stat Cover & Coil Assy.
16	17050759			Vacuum Brk. Control & Brkt. Assy.
17	7043597			Aux. Vac. Brk. Control & Brkt. Assy.
18	7041527			Rod—Vacuum Break
19	17050732			Screw—Control Attaching
20	7042900			Cam—Fast Idle
21	7026339			Hose—Vacuum
22	7038259			Choke Shaft
23	7048904			Choke Valve
24	7029866			Screw—Choke Valve
25	7031231			Lever—Intermediate Choke
26	7041472			Rod—Choke
27	17051958			Choke Housing Assembly
28	17050754			Inter. Choke Shaft & Lever Assy.
—	7037569			Seal—Inter. Choke Shaft
29	7041496			Link—Aux. Vac. Break
30	7043368			Lever—Stat Coil
31	7019709			Screw—Coil Lever
32	7038808			Screw—Choke Hsg. to Bowl
33	7041542			Lever—Choke
34	7029866			Screw—Choke Lever
35	7000614			Retainer—Stat Cover
36	7011270			Screw—Stat Cover
FLOAT BOWL PARTS				
37	SEE NOTE			Float Bowl Assembly
38	7031959	7031966	7031962	Jet—Primary
39	7002117			Ball—Pump Discharge
40	7029849			Retainer—Pump Discharge Ball
41	30-134			Needle & Seat Assy.
42	KIT ONLY			Gasket—Needle Seat
43	7033751			Pull Clip—Float Needle
44	7041468			Float Assembly
45	7041469			Hinge Pin—Float Assembly
46	7041460			Power Piston Assembly
47	7041477			Spring—Power Piston—Primary
47A	17052814	NONE	17052814	Aux. Met. Rod & Spring Assy.
48	7043536	7043540	7043537	Metering Rod—Primary
49	7041459			Spring—Metering Rod—Primary
50	17051254			Filter Nut—Fuel Inlet
51	7024281			Gasket—Filter Nut
52	GF-441			Filter—Fuel Inlet
53	7043568			Spring Fuel Filter
54	7003176			Spring—Idle Stop Screw
55	7002121			Screw—Idle Stop
56	7041471			Insert—Float Bowl
57	7031365			Baffle—Float Bowl
58	7042979			Spring—Pump Return
59	7048874			Pump Assembly
60	7026138			Rod Assembly
61	17052169	17052169	NONE	Aneroid Assembly
62	7041474	NONE	7041474	Aux. Power Valve
63	NONE	NONE	17052178	A.P.T. Rod Assembly
64	7037851	NONE	7037851	Spring—Aux. Power Valve
—				
THROTTLE BODY PARTS				
65	17052170	7042904	17052170	Throttle Body Assembly
66	KIT ONLY			Gasket—Throttle Body
67	7035790			Screw—Throttle Body
68	7048532			Idle Needle
69	7011479			Spring Idle Needle
70	7041497			Lever—Cam Follower
71	17051494			Spring—Cam Lever
72	7041498			Fast Idle Lever
73	7036079			Screw—Fast Idle Lever
74	7044794			Screw—Fast Idle Adjusting
75	7029900			Spring—Fast Idle Screw
76	1494992			Gasket—Flange

NOTE: 17052822 Float Bowl — Federal

For all **except** Eldorado with Vehicle Identification **before** 127951 and for Eldorado with Vehicle Identification **before** 408526, also replace Air Horn with 17053378.

17052823 Float Bowl — California

For all **except** Eldorado with Vehicle Identification **before** 140376 and for Eldorado with Vehicle Identification **before** 410338, also replace Air Horn with 17053379.



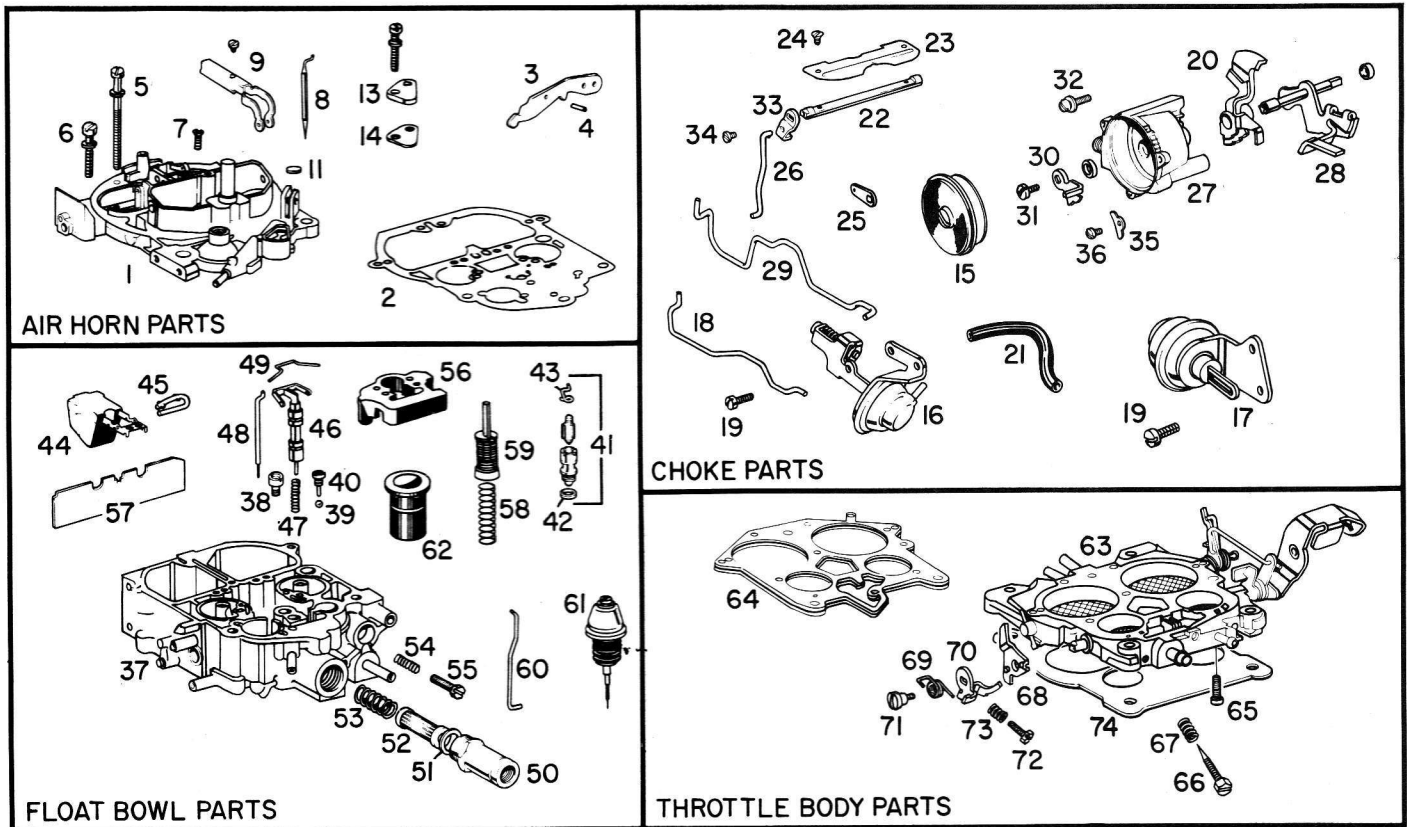
# Delco Carburetor

MODEL M4ME-M4MEA QUADRAJET

**1976 CADILLAC**  
500 CUBIC INCH ENGINE

BULLETIN: 9C-2013  
DATE: NOVEMBER 1975  
PAGE: 1

PARTS SHOWN ARE FOR IDENTIFICATION ONLY. CONSULT PARTS LIST FOR CORRECT PART NAME AND NUMBER



AIR HORN PARTS

CHOKE PARTS

FLOAT BOWL PARTS

THROTTLE BODY PARTS

**PARTS IN ALL COLUMNS SAME — EXCEPT WHERE INDICATED**

	M4ME FEDERAL	M4ME CALIFORNIA	ALTITUDE OPTION M4MEA FED. & CALIF.	APPLICATION
	17056230	17056530	17056232	<b>CARBURETOR No.</b>
	24-246	24-247	24-248	<b>REPLACEMENT PACKAGE No.</b>
	17052850	17052851	17053884	OVERHAUL KIT
	9289	9289	9305	POWER CARBURETOR KIT
	40-441	40-441	40-452	GASKET SET
<b>AIR HORN PARTS</b>				
Illus. No.				
1	17052847	17052847	17053649	Air Horn Assembly
2	17051797	17051797	7042998	Gasket—Air Horn
3	7048169			Lever—Pump Actuating
4	9428787			Roll Pin—Pump & Lockout Lever Hinge
5	7029912			Screw—Air Horn
6	7014699			Screw—Air Horn
7	7031105			Screw—Air Horn
8	7048992	17053703	7048992	Metering Rod—Secondary
9	7034522			Sec. Metering Rod Holder Kit
10	7035344			Air Valve Spring & Cam Kit
11	7037801			Plug—Idle Vent
12	—			Idle Vent Valve Kit
13	7043045			Cover Idle Vent
14	7043044			Gasket Idle Vent Cover



	17056230	17056530	17056232	CARBURETOR No.
Illus. No.	CHOKE PARTS			
15	7043450			Electric Stat Cover & Coil Assy.
16	17050759			Vacuum Brk. Control & Brkt. Assy.
17	7044051			Aux. Vac. Brk. Control & Brkt. Assy.
18	7041527			Rod—Vacuum Break
19	17050732			Screw—Control Attaching
20	17053729			Cam—Fast Idle
21	7026339			Hose—Vacuum
22	7038259			Choke Shaft
23	7048904			Choke Valve
24	7029866			Screw—Choke Valve
25	7031231			Lever—Intermediate Choke
26	7041472			Rod—Choke
27	17051958			Choke Housing Assembly
28	17050754			Inter. Choke Shaft & Lever Assy.
—	7037569			Seal—Inter. Choke Shaft
29	7041496			Link—Aux. Vac. Break
30	7043368			Lever—Stat Coil
31	7019709			Screw—Coil Lever
32	7038808			Screw—Choke Hsg. to Bowl
33	7041542			Lever—Choke
34	7029866			Screw—Choke Lever
35	7000614			Retainer—Stat Cover
36	7011270			Screw—Stat Cover
	FLOAT BOWL PARTS			
37	17052846	17052848	17053882	Float Bowl Assembly
38	7031970	7031972	7031966	Jet—Primary
39	7002117			Ball—Pump Discharge
40	7029849			Retainer—Pump Discharge Ball
41	30-134			Needle & Seat Assy.
42	KIT ONLY			Gasket—Needle Seat
43	7033751			Pull Clip—Float Needle
44	7041468			Float Assembly
45	7041469			Hinge Pin—Float Assembly
46	17051792	17051792	7041460	Power Piston Assembly
47	7029529	7037851	7037851	Spring—Power Piston—Primary
48	17053339	17053341	7043541	Metering Rod—Primary
49	7041459			Spring—Metering Rod—Primary
50	17051254			Filter Nut—Fuel Inlet
51	7024281			Gasket—Filter Nut
52	GF-471			Filter—Fuel Inlet
53	7043568			Spring Fuel Filter
54	7003176			Spring—Idle Stop Screw
55	7002121			Screw—Idle Stop
56	7041471			Insert—Float Bowl
57	7031365			Baffle—Float Bowl
58	7042979			Spring—Pump Return
59	7048874			Pump Assembly
60	7026138			Rod Assembly
61	NONE	NONE	17052235	Aneroid Assembly
62	7044330	7044330	NONE	Insert—Aneroid Cavity
—				
—				
—				
	THROTTLE BODY PARTS			
63	17053690	17053199	17053774	Throttle Body Assembly
64	KIT ONLY			Gasket—Throttle Body
65	7035790			Screw—Throttle Body
66	7048532			Idle Needle
67	7011479			Spring Idle Needle
68	7041497			Lever—Cam Follower
69	17051494			Spring—Cam Lever
70	7041498			Fast Idle Lever
71	7036079			Screw—Fast Idle Lever
72	7044794			Screw—Fast Idle Adjusting
73	7029900			Spring—Fast Idle Screw
74	1494992			Gasket—Flange



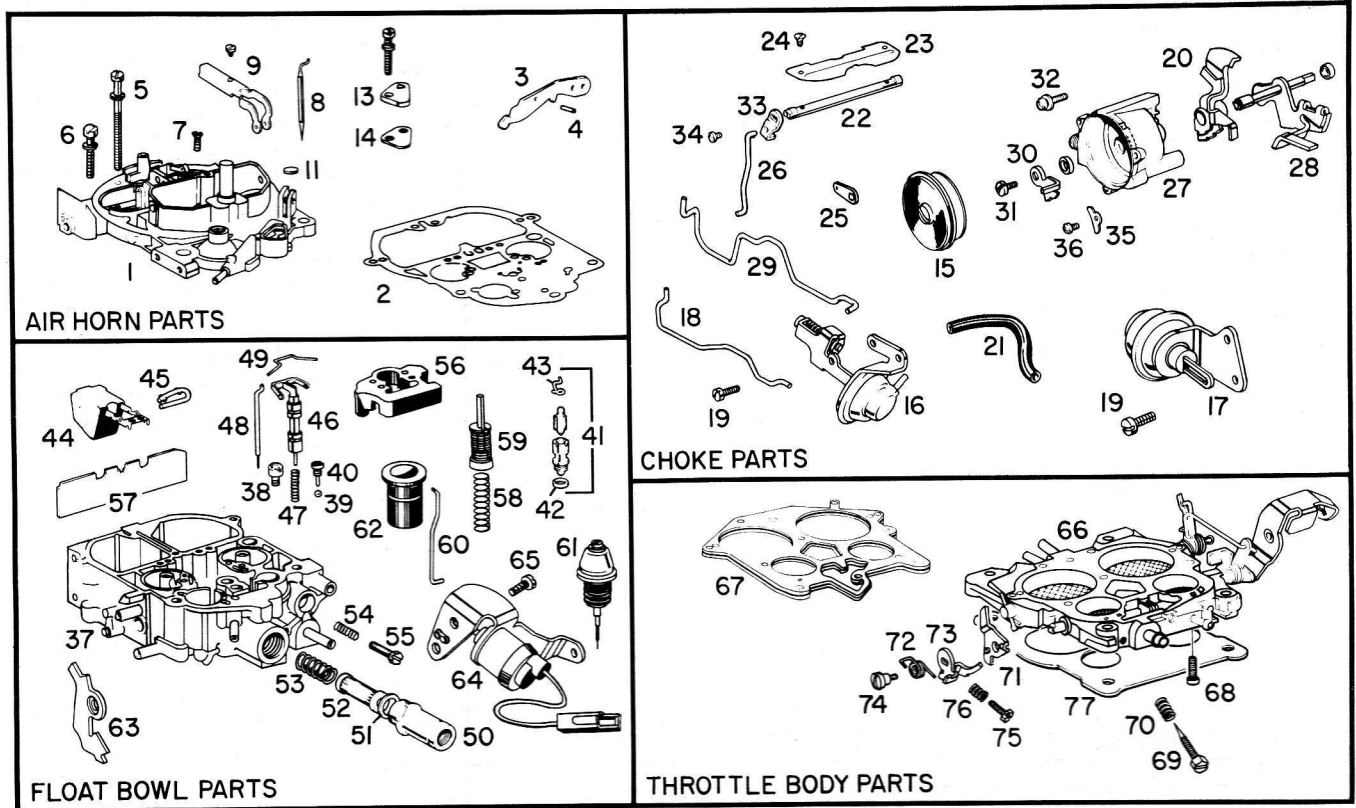
# Delco Carburetor

MODEL M4ME-M4MEA QUADRAJET

BULLETIN: 9C-2014  
DATE: NOVEMBER 1976  
PAGE: 1

1977 CADILLAC  
425 CUBIC INCH ENGINE

PARTS SHOWN ARE FOR IDENTIFICATION ONLY. CONSULT PARTS LIST FOR CORRECT PART NAME AND NUMBER



**PARTS IN ALL COLUMNS SAME — EXCEPT WHERE INDICATED**

ALL EXCEPT EL DORADO M4ME FEDERAL	EL DORADO M4ME FEDERAL	ALL M4ME CALIF.	ALL EXCEPT EL DORADO M4MEA ALTITUDE	EL DORADO M4MEA ALTITUDE	APPLICATION
17057230	17057231	17057530	17057232	17057233	CARBURETOR No.
24-258	24-260	24-257	24-262	24-261	REPLACEMENT PKG. No.
17055085	17055097	17055086	17055324	17055323	OVERHAUL KIT
9316	9317	9316	9317	9289	POWER CARB. KIT
40-441					GASKET SET

Illus. No.	AIR HORN PARTS					
1	17055083	17055083	17055087	17055326	17055326	Air Horn Assembly
2	17051797					Gasket—Air Horn
3	7048169					Lever—Pump Actuating
4	9428787					Roll Pin—Pmp. & Lckout. Lvr. Hng.
5	7029912					Screw—Air Horn
6	7014699					Screw—Air Horn
7	7031105					Screw—Air Horn
8	17056618	17056618	17056618	7048890	7048890	Metering Rod—Secondary
9	7034522					Sec. Metering Rod Hlder. Kit
10	7035344					Air Vlv. Spring & Cam Kit
11	7037801					Plug—Idle Vent
12	—					Idle Vent Valve Kit
13	7043045					Cover Idle Vent
14	7043044					Gasket Idle Vent Cover

	17057230	17057231	17057530	17057232	17057233	CARBURETOR No.
Illus. No.	CHOKE PARTS					
15	7043450					Electric Stat Cvr. & Coil Assy.
16	17050759					Vac. Brk. Control & Brkt. Assy.
17	7045054					Aux. Vac. Brk. Con. & Brkt. A
18	7041527					Rod—Vacuum Break
19	17050732					Screw—Control Attaching
20	17053729					Cam—Fast Idle
21	7026339					Hose—Vacuum
22	7038259					Choke Shaft
23	7048904					Choke Valve
24	7029866					Screw—Choke Valve
25	7031231					Lever—Intermediate Choke
26	7041472					Rod—Choke
27	17051958					Choke Housing Assy.
28	17050754					Inter. Choke Shaft & Lvr. Assy.
—	7037569					Seal—Inter. Choke Shaft
29	7041496					Link—Aux. Vac. Break
30	7043368					Lever—Stat Coil
31	7019709					Screw—Coil Lever
32	7038808					Screw—Choke Hsg. to Bowl
33	7041542					Lever—Choke
34	7029866					Screw—Choke Lever
35	7000614					Retainer—Stat Cover
36	7011270					Screw—Stat Cover
	FLOAT BOWL PARTS					
37	17055084	17055091	17055084	17055325	17055325	Float Bowl Assembly
38	7031972	7031970	7031970	7031967	7031966	Jet—Primary
39	7002117					Ball—Pump Discharge
40	7029849					Retainer—Pump Disch. Ball
41	30-134					Needle & Seat Assy.
42	KIT ONLY					Gasket—Needle Seat
43	7033751					Pull Clip—Float Needle
44	7041468					Float Assembly
45	7041469					Hinge Pin—Float Assy.
46	17051792					Power Piston Assembly
47	7044432					Spring—Pwr. Piston—Primary
48	17057752	17057748	17053338	17057748	17057747	Metering Rod—Primary
49	7041459					Sprg.—Mtring. Rod—Primary
50	17051254					Filter Nut—Fuel Inlet
51	7024281					Gasket—Filter Nut
52	GF-471					Filter—Fuel Inlet
53	7043568					Spring Fuel Filter
54	7003176					Spring—Idle Stop Screw
55	7002121					Screw—Idle Stop
56	7041471					Insert—Float Bowl
57	7031365					Baffle—Float Bowl
58	7042979					Spring—Pump Return
59	17054773	17051374	17054773	17051374	17051374	Pump Assembly
60	7026138					Rod Assembly
61	NONE	NONE	NONE	17056999	17056999	Aneroid Assembly
62	7044330	7044330	7044330	NONE	NONE	Insert—Aneroid Cavity
63	7041473					Lever—Secondary Lockout
64	7043619	NONE	7043619	7043619	NONE	Solenoid & Brkt. Assy.
65	7043682	NONE	7043682	7043682	NONE	Screw—Brkt. Attaching (2)
	THROTTLE BODY PARTS					
66	17055502	17057965	17054116	17055504	17054990	Throttle Body Assembly
67	KIT ONLY					Gasket—Throttle Body
68	7035790					Screw—Throttle Body
69	7048532					Idle Needle
70	7011479					Spring Idle Needle
71	7041497					Lever—Cam Follower
72	17051494					Spring—Cam Lever
73	7041498					Fast Idle Lever
74	7036079					Screw—Fast Idle Lever
75	7044794					Screw—Fast Idle Adjusting
76	7029900					Spring—Fast Idle Screw
77	1494992					Gasket—Flange



# Delco Carburetor

## 1951-62 CADILLAC

BULLETIN 9C-2000  
DATE: NOVEMBER, 1971  
PAGE 1

REFER TO THE 9A-100 CARBURETOR AND SERVICE PARTS CATALOG FOR PARTS AND KITS AVAILABLE FOR THE CARBURETORS LISTED BELOW.

CARBURETOR NOS.	MODEL	YEAR
7003200, 4200	BB	1951
7004500	4GC	1952
7005100, 6215	4GC	1953
7006220, 6221, 6962, 6963, 7240, 7241, 7970, 7971, 9070, 9071	4GC	1955
7008750, 8751, 9750, 9751	4GC	1956
7010100, 101, 7012000, 001	4GC	1957
7012010, 011, 7012811, 7012910	4GC	1958
7012201, 202, 203, 205, 901, 902, 903, 905	2GC	1958
7013030, 031	4GC	1959-60
7013033, 034, 035, 037	2GC	1959
7019030, 031	4GC	1961-62